

gc/gd

FILED
APR 6 2012
Phil Lombardi, Clerk
U.S. DISTRICT COURT

**IN THE UNITED STATES DISTRICT COURT
FOR THE NORTHERN DISTRICT OF OKLAHOMA**

LEKTRON, INC.,)
)
 Plaintiff,)
)
 v.)
)
 THE SLOAN COMPANY, INC. D/B/A)
 SLOANLED, INC.,)
)
 Defendant.)

12 CV - 203 TCK FHM
Case No.
Related to Case No. 4:11-cv-413-
TCK-FHM

COMPLAINT FOR PATENT INFRINGEMENT

Plaintiff Lektron, Inc. ("Lektron") hereby brings this action for patent infringement against The Sloan Company d/b/a SloanLED Company ("SloanLED"), and alleges as follows:

NATURE OF THE ACTION AND PARTIES

1. This is an action for patent infringement arising under the patent laws of the United States, Title 35 of the United States Code.
2. Plaintiff Lektron is a corporation organized under the laws of Oklahoma with its principal place of business at 7450 East 46th Place, Tulsa, Oklahoma 74145.
3. On information and belief, defendant The Sloan Company, Inc. d/b/a SloanLED Company is a corporation organized under the laws of California, with its principal place of business at 5725 Olivias Park Drive, Ventura, California 93003.

JURISDICTION

4. This court has subject matter jurisdiction over this action pursuant to 35 U.S.C. § 271 et seq., 28 U.S.C. §§ 1331 and 1338(a).

waived

5. SloanLED is subject to personal jurisdiction in this district because SloanLED has conducted and does conduct business within the United States and the State of Oklahoma. SloanLED, directly or through intermediaries (including distributors, retailers, and others), ships, distributes, offers for sale, sells, and advertises (including the provision of an interactive web page) its products in the United States and the State of Oklahoma. Upon information and belief, SloanLED has purposefully and voluntarily placed one or more of its infringing products, as described below, into the stream of commerce with the expectation that they will be purchased or used in the United States and the State of Oklahoma. SloanLED has committed the tort of patent infringement within the United States and the State of Oklahoma.

VENUE

6. Venue is proper in this district pursuant to 28 U.S.C. §§ 1391(b), 1391(c) and 1391 (d) and 28 U.S.C. § 1400(b).

FACTUAL BACKGROUND

7. Neon lighting has been known and used for decorative purposes for nearly 100 years. Despite its lengthy tenure, however, neon lighting has a number of well recognized problems. The tubes are fragile, and prone to breakage, which can result in an unsightly appearance. Neon lights require a high voltage power source, which results in significant power consumption, as well as the potential risk of fire. Finally, the fabrication of neon lights can include the use of materials that are toxic or otherwise harmful to the environment.

8. Recognizing the need for an alternative solution that consumed less electricity, was more durable, and avoided the other disadvantages of conventional neon lights, Lektron set out to develop a replacement product that achieved these goals. It succeeded, and invented a

replacement product, which uses LED lights. This product, sold by Lektron under the trademark “LEON,” is a successful product.

CLAIM FOR RELIEF

(INFRINGEMENT OF U.S. PATENT NO. 6,361,186)

9. Lektron owns all right, title and interest in United States Patent No. 6,361,186 (“the ’186 patent”). The ’186 patent is entitled “Simulated Neon Light Using LED’s.” The application that issued as the ’186 patent was filed on August 2, 2000, and the United States Patent and Trademark Office duly and legally issued the ’186 patent on March 26, 2002. A copy of the ’186 patent is attached hereto as Exhibit A.

10. SloanLED makes or has made, uses, offers to sell, sells, distributes, supplies, provides and/or imports into the United States LED lighting products that directly infringe at least claim 1 of the ’186 patents either literally or under the doctrine of equivalents. The accused products include SloanLED’s ColorLINE product (“the SloanLED Accused Products”).

11. SloanLED also induces and contributes to the infringement of the ’186 patent by others, by making, using, selling, offering for sale, or importing components of a simulated neon light. For example, SloanLED provides data sheets and installation instructions that instruct purchasers to assemble infringing simulated Neon border lights and connect the LEDs to the power source. Consumers who use the SloanLED Accused Products infringe the ’186 patent. SloanLED contributes to customers’ infringement of the ’186 patent by offering for sale, selling, importing into the United States, distributing, supplying, and/or otherwise providing the components for use by customers with knowledge that the resulting LED lighting systems are designed for use in a manner that practices the inventions claimed in the ’186 patent, and that the component products do not have substantial non-infringing uses.

12. SloanLED has known of the '186 patent since no later than May 8, 2007, when U.S. Patent No. 7,604,376 was issued by the Patent and Trademark Office. The '376 patent indicates on its face that the '186 patent was cited by the patent examiner during prosecution of the '376 patent. After obtaining knowledge of the '186 patent, SloanLED continued to infringe the '186 patent as described above, despite an objectively high likelihood that its actions constitute infringement of the '186 patent. SloanLED's infringement of the patent is willful and deliberate, entitling Lektron to enhanced damages under 35 U.S.C. § 284 and reasonable attorneys' fees under 35 U.S.C. § 285.

13. Lektron is entitled to recover past damages because it has marked its products with the '186 patent number, pursuant to 35 U.S.C § 287.

14. Lektron sells its LEON product in competition with the SloanLED's sale of infringing products. SloanLED's sales of infringing products have caused Lektron to lose sales, and have eroded the price that Lektron can charge for its patented LEON products. Lektron has suffered, and will continue to suffer, severe and irreparable harm unless this Court issues an injunction prohibiting SloanLED, its agents, servants, employees, representatives, and all others acting in concert therewith, from infringing the '186 patent.

JURY DEMAND

Lektron requests a trial by jury for all issues so triable.

PRAYER FOR RELIEF

Lektron prays for relief as follows:

1. Judgment that SloanLED has infringed the '186 patent as alleged herein;

2. A judgment and order requiring SloanLED to pay Lektron compensatory damages in an amount according to proof, including Lektron's lost profits for SloanLED's infringing sales, but in no event less than a reasonable royalty;

3. A judgment and order that SloanLED, its agents, employees, representatives, successors and assigns, and those acting in privity or in concert with them, be permanently enjoined from further infringing the '186 patent.

4. A judgment and order that SloanLED's infringement was willful, and an award of treble damages and attorneys' fees.

5. Any and all other relief that the Court deems just and equitable.

Dated: April 6, 2012

By: 

Thomas M. Ladner (OK Bar No. 5161)
tladner@ladnerlittle.com
Christine D. Little (OK Bar No. 16677)
clittle@ladnerlittle.com
LADNER LITTLE & ELDREDGE, PLLC
320 S. Boston Avenue, Suite 1026
Tulsa, OK 74103
Telephone: (918) 582-3032
Facsimile: (918) 582-3075

Robert E. Freitas, (*admitted pro hac vice*)
rfreitas@ftklaw.com
Craig R. Kaufman (*admitted pro hac vice*)
ckaufman@ftklaw.com
Catherine Y. Lui (*admitted pro hac vice*)
clui@ftklaw.com
FREITAS TSENG & KAUFMAN LLP
100 Marine Parkway, Suite 200
Redwood Shores, CA 94065
Telephone: (650) 593-6300
Facsimile: (650) 593-6301

Attorneys for Plaintiff Lektron, Inc.



US006361186B1

(12) **United States Patent**
Slayden

(10) Patent No.: **US 6,361,186 B1**
(45) Date of Patent: **Mar. 26, 2002**

(54) **SIMULATED NEON LIGHT USING LED'S**

(74) *Attorney, Agent, or Firm*—Frank J. Catalano

(75) Inventor: **James C. Slayden, Talala, OK (US)**

(57) **ABSTRACT**

(73) Assignee: **Lektron Industrial Supply, Inc., Tulsa, OK (US)**

A neon light is simulated using light emitting diodes as a light source. An elongated, translucent diffuser of circular cross-sections is mated with an elongated opaque tubular housing of constant cross-section with a lengthwise slot. The diffuser is held in longitudinally aligned abutment against the edges of the housing slot to form a chamber between the housing and the diffuser from which light may only be emitted through the diffuser. A plurality of light emitting diodes is aligned in a linear array in the chamber. The reflection and refraction of light by the tubular diffuser produces a neon-like glow or glare along the exposed surface of the diffuser. The housing has a maximum width not greater than the diameter of the diffuser, so that the housing is hidden behind the diffuser. The diodes may be electrically connected in patterns of alternating sequential activation to give a flashing, mono-chromatic effect and may be color coded according to the patterns of alternating sequential activation to give a flashing, color changing effect to the fixture. Preferably, the housing is sufficiently resiliently flexible to permit the diffuser to be disengaged from and reengaged with the housing so as to permit maintenance of the fixture without removal from its location. This LED simulation affords a durable, low voltage, low energy, non-gaseous, inexpensive, easy to install, easy to maintain, chromatically versatile, long life fixture which looks like neon light and demands the attention of the observer.

(*) Notice: Subject to any disclaimer, the term of this patent is extended or adjusted under 35 U.S.C. 154(b) by 0 days.

(21) Appl. No.: **09/632,032**

(22) Filed: **Aug. 2, 2000**

(51) Int. Cl.⁷ **F21V 21/00**

(52) U.S. Cl. **362/249; 362/251; 362/231; 362/545; 362/800; 362/361; 362/363; 362/219; 362/240**

(58) Field of Search **362/249, 351, 362/231, 545, 240, 223, 800, 361, 363, 219**

(56) **References Cited**

U.S. PATENT DOCUMENTS

| | | | | | |
|-------------|---|---------|---------------|-------|---------|
| 4,858,088 A | * | 8/1989 | Agabekov | | 362/249 |
| 5,343,375 A | * | 8/1994 | Gross | | 362/248 |
| 6,158,882 A | * | 12/2000 | Bischoff, Jr. | | 362/488 |

* cited by examiner

Primary Examiner—Thomas M. Sember
Assistant Examiner—Ali Alavi

20 Claims, 4 Drawing Sheets

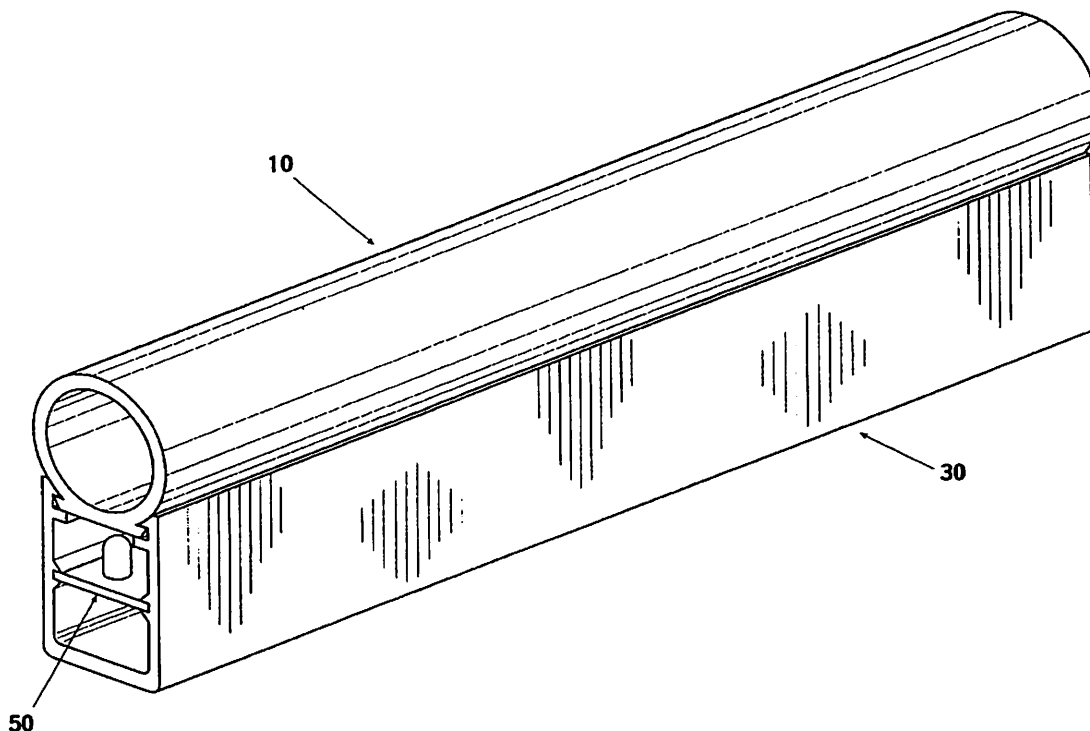


EXHIBIT A

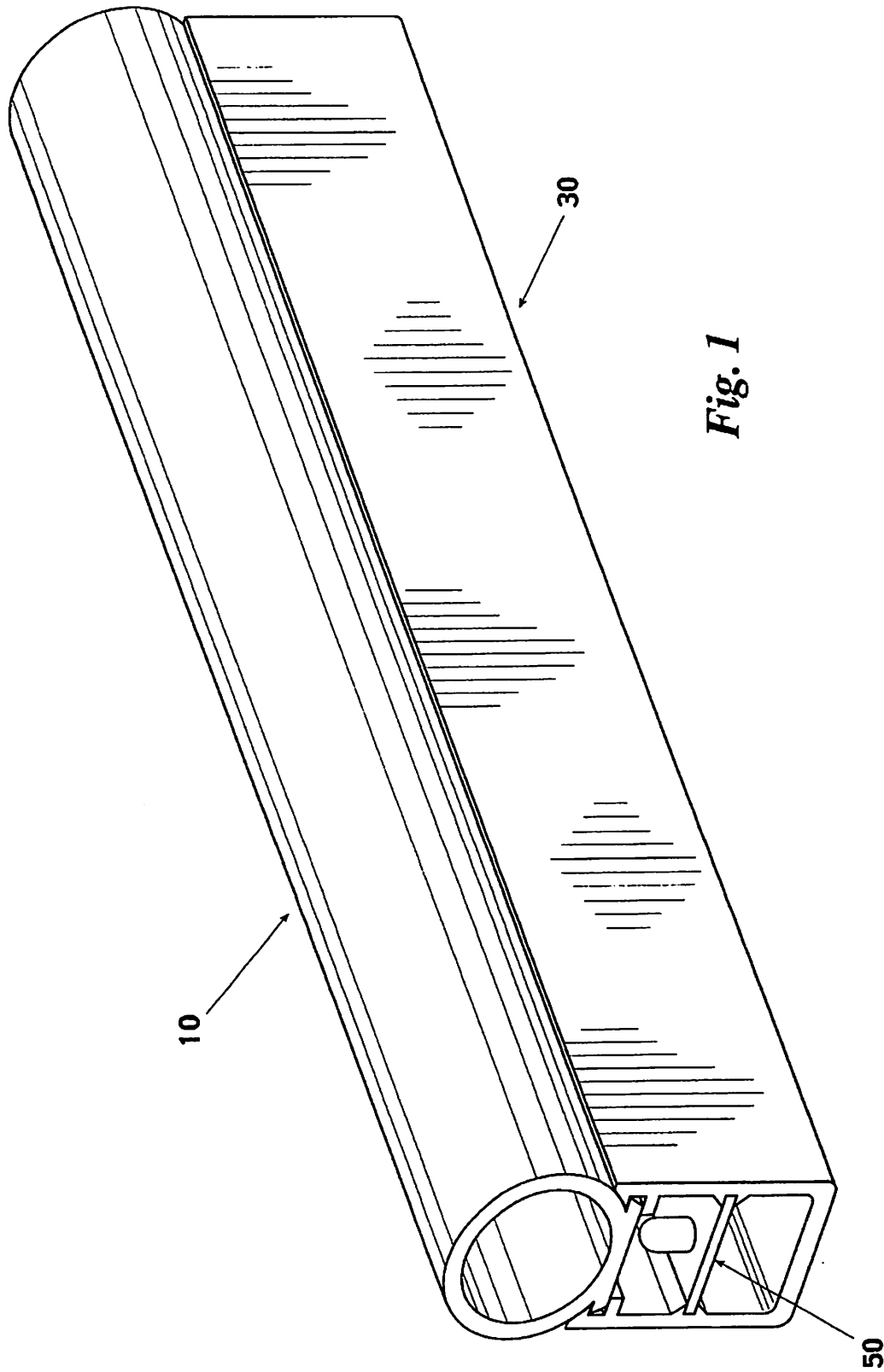


Fig. 1

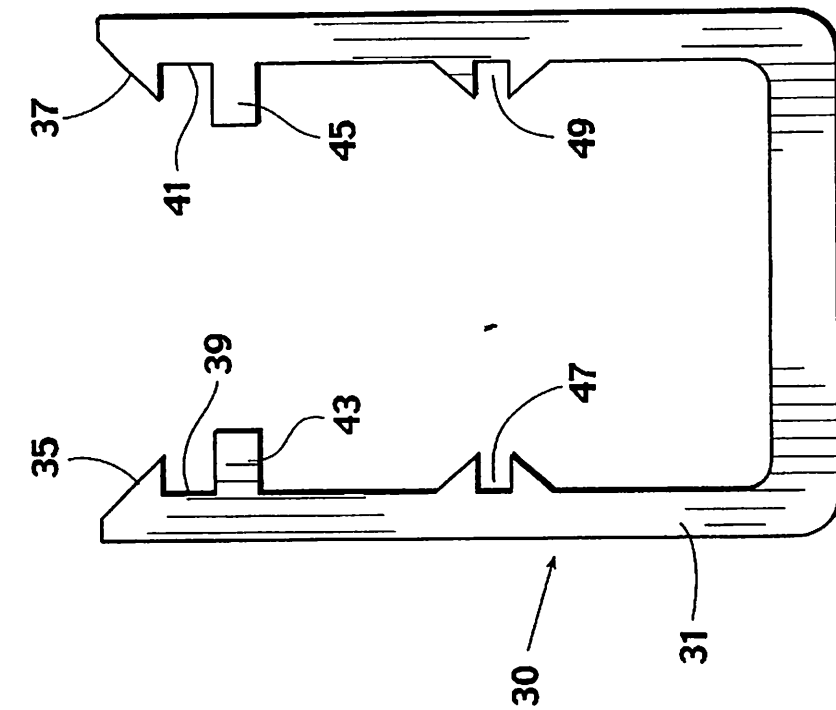


Fig. 2

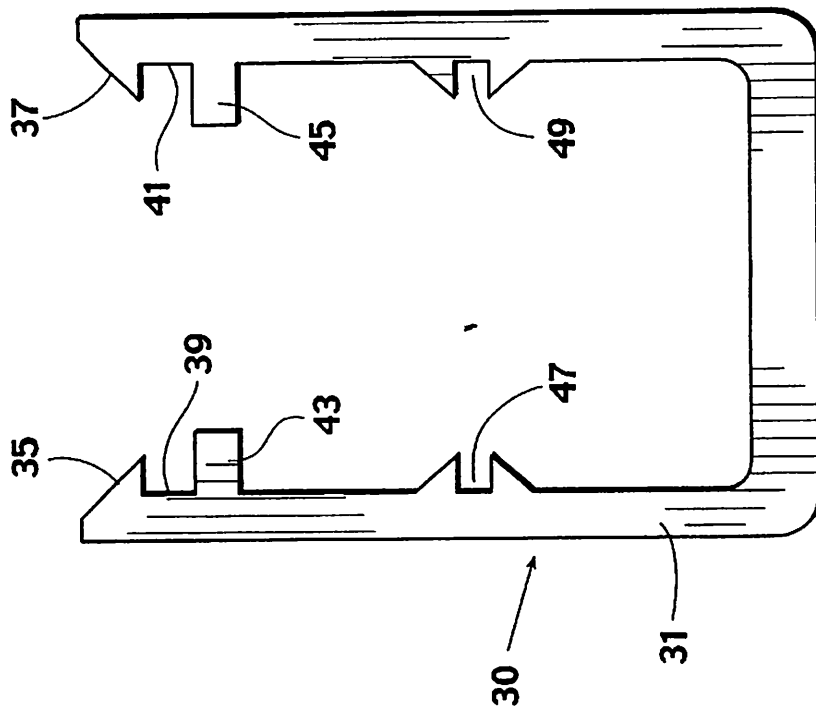


Fig. 3

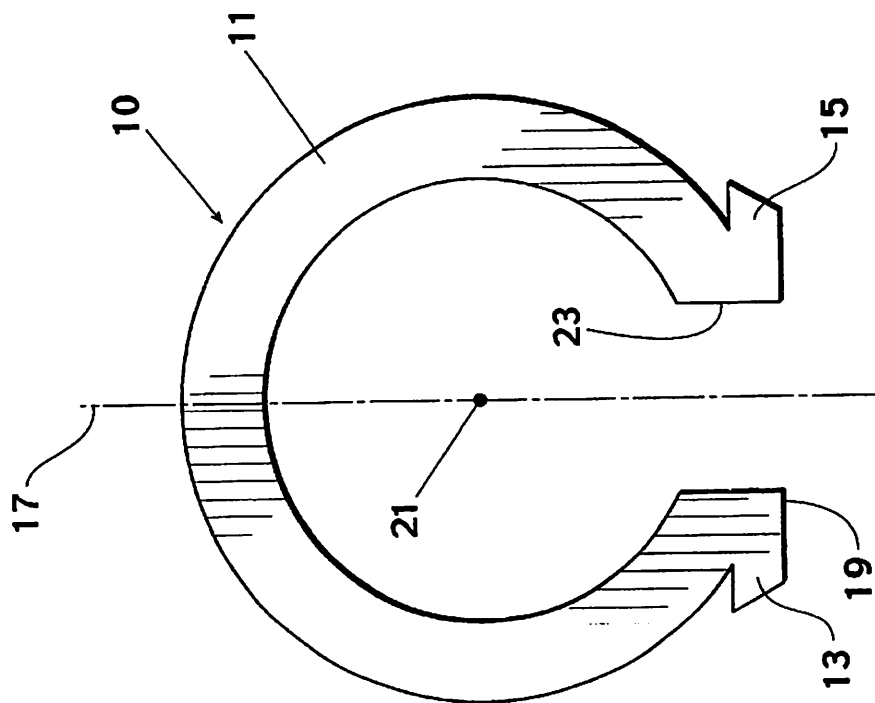


Fig. 4

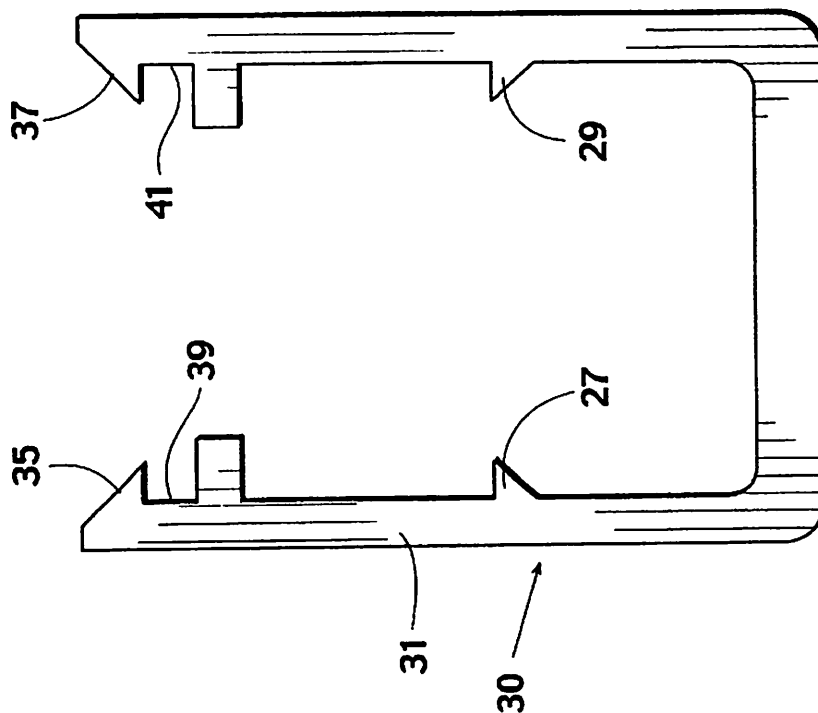
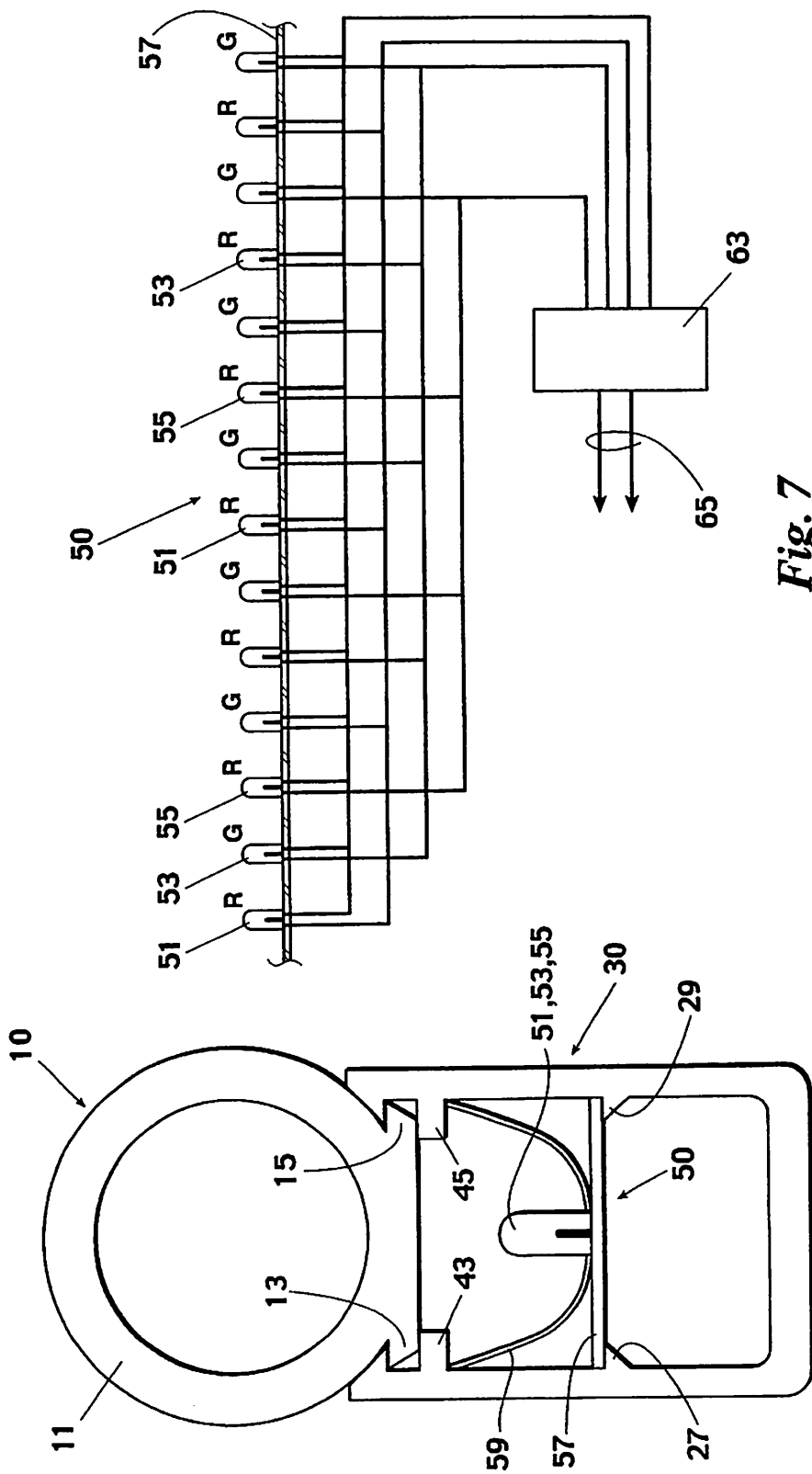


Fig. 5



US 6,361,186 B1

1

SIMULATED NEON LIGHT USING LED'S

BACKGROUND OF THE INVENTION

This invention relates generally to lighting equipment and more particularly concerns a fixture using light emitting diodes to simulate a neon light.

Neon lights are widely used in commercial applications as decorative enhancements, information communicators and back lights. For example, they are used to highlight architectural features or to display names, logos and the like.

Neon lights are generally chosen for their neon affect or glare which demands the viewer's attention. This ability to draw attention outweighs the many drawbacks associated with neon lights. They are fragile, high voltage, energy consuming, monochromatic devices with inconsistent life patterns. They are labor intensive and require licensed tradesmen for installation and replacement. From a practical standpoint, any other type of lighting would be desirable if it could produce the attention demanding impact associated with neon.

It is, therefore, an object of this invention to provide a simulated neon light which is durable. Another object of this invention is to provide a simulated neon light which operates at low voltages. A further object of this invention is to provide a simulated neon light which conserves energy. It is also an object of this invention to provide a simulated neon light which is easy to install. Still another object of this invention is to provide a simulated neon light which is easy to maintain. An additional object of this invention is to provide a simulated neon light which is long lasting. Yet another object of this invention is to provide a simulated neon light which is non-monochromatic. A further object of this invention is to provide a simulated neon light which is inexpensive.

SUMMARY OF THE INVENTION

In accordance with the invention, a neon light is simulated using light emitting diodes as a light source. An elongated, translucent diffuser of circular cross-section is mated with an elongated opaque tubular housing of constant cross-section with a lengthwise slot. The diffuser is held in longitudinally aligned abutment against the edges of the housing slot to form a chamber between the housing and the diffuser from which light may only be emitted through the diffuser.

A plurality of light emitting diodes is aligned in a linear array in the chamber. The plurality of diodes is connected to an electrical power source for energizing the diodes. The light emitted from the diodes can only pass from the chamber into the wall of the diffuser along the slot and out of the wall of the diffuser outside of the housing. The refraction and reflection of light by the tubular diffuser produces a neon-like glow or glare with an appearance of substantially homogeneous light intensity across the exposed surface of the diffuser. The housing has a maximum width taken in a direction parallel to a plane traversing the slot which is not greater than the diameter of the diffuser, so that the housing is hidden behind the diffuser. The diffuser is preferably made of polyethylene, but any material having an index of refraction in a range of that of polyethylene can be used.

In an alternative embodiment, the diffuser has a lengthwise slot contiguous with the housing slot, so that the light from the diodes is refracted and reflected over more than a 180 degree arc of the diffuser. However, the diodes do not physically penetrate within the circumference of the diffuser.

2

This spacing of the diodes from the interior of the diffuser minimizes the appearance of point source intensity in the diffuser. It may be desirable in this embodiment to further soften the dispersion of light by use of wide angle light dispersing diodes. The diodes may all be of the same color. The diodes may be electrically connected in patterns of alternating sequential activation to give a flashing, monochromatic effect. The diodes may be color coded according to the patterns of alternating sequential activation to give a flashing, color changing effect to the fixture. A translucent color coating can be applied to the exposed exterior display surface of the diffuser to enhance the color of the diodes in monochromatic applications.

The diffuser and housing may be held together by an adhesive bond, or, preferably, by mating channels and flanges extending lengthwise on the diffuser and the housing. Preferably, the housing is sufficiently resiliently flexible to permit the diffuser to be disengaged from and reengaged with the housing so as to permit maintenance of the fixture without removal from its location.

The diodes are preferably fixed to a circuit board and the housing is provided with channels for engagement of the edges of the circuit board to hold the diodes in position in the chamber. In this configuration, the housing is preferably sufficiently resiliently flexible to permit the circuit board to be disengaged from and reengaged with the housing, again to facilitate maintenance without removal of the fixture from its location. Alternatively, interior flanges may be provided on each side of the housing on which the board can be seated, and plastic spring clips used to pin the boards between the flanges and the channels along the housing slot.

This light emitting diode simulation of a neon light affords all of the advantages of LED lighting. It provides a durable, low voltage, low energy, non-gaseous, inexpensive, easy to install, easy to maintain, chromatically versatile, long life fixture which looks like a neon light and demands the attention of the observer.

BRIEF DESCRIPTION OF THE DRAWINGS

Other objects and advantages of the invention will become apparent upon reading the following detailed description and upon reference to the drawings in which:

FIG. 1 is a perspective view of a preferred embodiment of a simulated neon light using light emitting diodes as a light source;

FIG. 2 is an end elevation view of the diffuser of the light of FIG. 1;

FIG. 3 is an end elevation view of the housing of the light of FIG. 1;

FIG. 4 is an end elevation view of an alternative embodiment of the diffuser;

FIG. 5 is an end elevational view of an alternative embodiment of the housing;

FIG. 6 is a cross-sectional view illustrating the combination of the diffuser of FIG. 2 with the housing of FIG. 5; and

FIG. 7 is a wiring diagram for the simulated neon light illustrating a multicolor application of the invention.

While the invention will be described in connection with a preferred embodiment, it will be understood that it is not intended to limit the invention to that embodiment. On the contrary, it is intended to cover all alternatives, modifications and equivalents as may be included within the spirit and scope of the invention as defined by the appended claims.

DETAILED DESCRIPTION

Turning to FIG. 1, a simulated neon light includes an elongated translucent diffuser 10, an elongated opaque tubular housing 30 and a light emitting diode circuit board 50.

US 6,361,186 B1

3

A first embodiment of the diffuser 10 is illustrated in FIG. 1. The diffuser 10 consists of a tube 11 having a circular cross section. A pair of flanges 13 and 15 are symmetrically oppositely displaced in relation to a diameter 17 of the tube 11 and extend outwardly from the outer wall of the tube 11 parallel to a plane 19 perpendicular to the diameter 17. Preferably, the flanges 13 and 15, taken together, define a planar surface 19 which is tangent to the outer wall of the tube 11. The flanges 13 and 15 extend lengthwise on the diffuser. Preferably, the diffuser is made of polyethylene and most preferably of a milky clear polyethylene, though other materials having an index of refraction approximately equal to that of polyethylene may also be used. As shown, it is preferred that the ends of the flanges 13 and 15 are tapered so that the cross-sectional distances across the flanges 13 and 15 is at a minimum at the furthestmost point from the center 21 of the tube 11. In a prototype light, a tube 11 of milky clear polyethylene having a 0.675 inch inner diameter and a 0.9 inch outer diameter is provided with 0.075 inch thick flanges 13 and 15. The longest width across the flanges 13 and 15 is 0.675 inches or equal to the inner diameter of the tube 11. The ends of the flanges 13 and 15 are tapered at approximately 45 degrees to the shortest width across the flanges 13 and 15, the shortest width being tangent to the outer wall of the tube 11.

Looking at FIG. 3, in a first embodiment of the housing 30, a tubular member 31 has a constant cross-section with a lengthwise slot 33. As shown, the tubular member 31 is substantially rectangular and the slot 33 extends through a short wall of the rectangular cross-section. The inside edges 35 and 37 of the slot 33 are tapered to narrow the slot 33 toward the interior of the housing 30. Immediately below the tapered slot 33 are lengthwise opposing channels 39 and 41 between the narrow ends of the tapered slot 33 and a pair of flanges 43 and 45 which extend lengthwise on opposite inside walls of the tubular member 31. Similarly, lengthwise opposed channels 47 and 49 extend along the longer inside walls approximately at their midpoint or along a plane closer to the short wall of the rectangular cross-section in which no slot is provided. As shown, the inside walls of the tubular member 31 are tapered inwardly to form the channels 47 and 49. In the prototype light, the rectangular cross-section housing consists of a flat black opaque tube having outer dimensions of 1.35 inches by 0.825 inches with short walls of approximately 0.1 inch thickness and long walls of approximately 0.075 inch thickness. The channels 39, 41, 47 and 49 are approximately 0.075 inches in depth with the second set of channels 47 and 49 being approximately 1/2 inch from the unslotted short wall of the housing 30. Other cross-sections than rectangular could be used for the housing 30, provided the housing 30 has a maximum width which, taken in a direction parallel to a plane traversing the slot 33, is not greater than the diameter of the diffuser 10. Thus, the housing 30 can be hidden behind the diffuser 10.

Looking at FIG. 4, an alternate embodiment of the diffuser 10 is illustrated which is in all respects the same as the diffuser 10 illustrated in FIG. 2 except that the circular tube 11 is provided with a lengthwise slot 23 through the tube 11 and the flanges 13 and 15. The slot is symmetrically disposed in relation to the diameter 17 which is perpendicular to the plane 19 of the flanges 13 and 15.

FIG. 5 illustrates an alternate embodiment of the housing 30. The housing 30 of FIG. 3 is identical in all respects to the housing 30 of FIG. 5 except that the channels 47 and 49 have been replaced by flanges 27 and 29 which are oppositely disposed lengthwise along the inside walls of the tubular member 31.

4

In the embodiment of the housing 30 illustrated in FIGS. 5 and 6, a circuit board 57 is seated on the flanges 27 and 29. A spring clip 59, consisting of a thin, narrow strip of resiliently flexible plastic, is cooperable with the housing 30 to hold the circuit board 57 against the flanges 27 and 29. As shown, the length of the spring clip 59 is chosen so that when its ends are engaged against the flanges 43 and 45 of the housing, its central portion bears against the circuit board 57. For a lamp dimensioned in accordance with the prototype herein described, spring clips consisting of 1/4 inch lengths of 0.2 inch wide plastic would be suitable with one or two clips used for each section of circuit board, the clips being disposed between the light emitting diodes.

Looking at FIGS. 5, 6 and 7, the light source for the simulated neon light consists of a plurality of light emitting diodes 51, 53 and 55 aligned in a linear array on the circuit board 57. In the prototype, a circuit board 57 holding thirty diodes per foot on 3/8 inch centers with every third diode 51, 53 and 55 connected in a common circuit is used. For the embodiment of the housing 30 shown in FIGS. 1 and 3, the circuit board 57 has its opposite edges engaged in the channels 47 and 49 of the housing 30. As best seen in FIG. 3, in this embodiment, the taper of the housing wall to the channels 47 and 49 facilitates the pressing of the circuit board 57 into the channels, the housing 30 being sufficiently resiliently flexible to receive the circuit board 57 and the channels 47 and 49 so as to permit the circuit board 57 to be disengaged from and reengaged with the housing 30.

Looking at FIGS. 1 and 6, once the circuit board 57 is mounted in the housing 30, the diffuser 10 can be mounted. As shown, the flanges 13 and 15 on the diffuser 10 engage in the channels 39 and 41 of the housing 30. As best seen in FIG. 6, when the tapered ends of the flanges 13 and 15 on the tubular member are pressed into the tapered edges 35 and 37 of the slot 33 on the housing 30, the resilient flexibility of the housing 30 allows the flanges 13 and 15 of the diffuser 10 to snap into the channels 39 and 41 of the housing 30. Thus, the resilient flexibility of the housing 30 permits the diffuser 10 to be disengaged from and reengaged with the housing 30.

As is best seen in FIG. 6, the diffuser 10 is held in longitudinally aligned abutment against the edges 35 and 37 of the slot 33 in the housing 30 to form a chamber 61 between the housing 30 and the diffuser 10. Since the housing 30 is opaque, light can only be emitted by the diodes 51, 53 and 55 through the diffuser 10. Since the diodes 51, 53 and 55 are external to the outer diameter of the diffuser 10, refracted light can be emitted from the fixture only after being twice refracted by the diffuser 10. In addition, the inner and outer walls of the diffuser 10 provide reflective light throughout the cross-section of the tube 11. It is believed that this combination of reflected and refracted light in the translucent tube is what affords the neon-like glow of the fixture. In the slotted embodiment of the diffuser 10 illustrated in FIG. 4, the slot 23 is aligned contiguously with the slot 33 in the housing 30. This may somewhat reduce the quality of neon simulation, but does facilitate assembly and maintenance since the diffuser 10 is thus compressible to assist in engagement with the channels 39 and 41 of the housing 30. The reduced quality of neon simulation, if any, appears as variations in intensity of light on the exposed diffuser surface due to the use of multiple point sources of light. This potential loss of quality can be minimized by use of wider angle dispersion light emitting diodes. The wider angle of dispersion not only directly reduces the focused intensity of the point sources but also adds to the refractive and reflective qualities of the diffuser 10.

US 6,361,186 B1

5

Looking at FIG. 7, it can readily be seen that diodes of the same color can be used to provide monochromatic light. However, if, as shown, the diodes are electrically connected in patterns of alternating sequential activation, then the lamp can be caused to flash or be configured to be nonmonochromatic. For example, a circuit controller 63 connected between the simulated neon light and the power source 65 can be switched to select the mode of operation of the light. If the diodes 51, 53 and 55 are identically colored and all circuits function at all times, a constant monochromatic light will result. If the controller 63 simultaneously connects and disconnects all of the circuits, then a flashing monochromatic light will result. If the controller 63 sequentially connects and disconnects the circuits, the emitted light can appear to move in waves across the fixture. If the diodes 51, 53 and 55 are color coded according to the patterns of alternating sequential activation, for example red R, green G and blue B, the sequential operation of the circuits by the controller 63 will result in a sign which changes colors according to the sequenced pattern. In addition, by the use of opaque dividers between sections of a fixture, the dividers sealing a cross-section through both the diffuser 10 and the housing 30, a light having sections of different colors can be devised.

Preferably, the lights will be constructed in modular lengths, such as one, two, four, eight feet and so on, though any length or multiple of lengths can be chosen. Alternatively, long lengths of light can be cut to any desired length. In addition, connectors of a wide range of angles may be used to interconnect straight modules into a desired configuration. For example, four 90 degree connectors can be used to connect four straight modules into an "O" configuration. While the housing 30 may be of any desired length, it is especially preferred that the diffuser 10 be provided in segments of five feet or less so that a section of diffuser 10 can be removed from a housing 30 to permit maintenance of the diodes and circuit board without removal of the fixture from its location. However, for long lengths of diffuser 10, it is anticipated that the diffuser 10 will be sufficiently flexible so as to permit a portion of the diffuser to be disengaged from the housing 30 without disengagement of the remainder of the diffuser 10 from the housing 30.

While the diffuser 10 is preferably milky clear, the diffuser can be color coded to coordinate with diode color or a translucent coat coordinated with the color of the diodes may be applied to the outer surface of the diffuser.

Thus, it is apparent that there has been provided, in accordance with the invention, a simulated neon light using light emitting diodes as a light source that fully satisfies the objects, aims and advantages set forth above. While the invention has been described in conjunction with a specific embodiment thereof, it is evident that many alternatives, modifications and variations will be apparent to those skilled in the art and in light of the foregoing description. Accordingly, it is intended to embrace all such alternatives, modifications and variations as fall within the spirit of the appended claims.

What is claimed is:

1. A simulated neon light comprising:
 - an elongated translucent diffuser having a circular cross-section;
 - an elongated opaque tubular housing having a lengthwise slot therein;
 - means for holding said diffuser in longitudinally aligned abutment against edges of said housing slot to form a chamber between said housing and said diffuser from which light may only be emitted through said diffuser;
 - a plurality of light emitting diodes aligned in said chamber; and

6

means for connecting said plurality of diodes to an electrical power source for energizing said diodes.

2. A simulated neon light comprising:
 - an elongated translucent diffuser having a circular cross-section;

an elongated opaque tubular housing of constant cross-section having a lengthwise slot therein;

means for holding said diffuser in longitudinally aligned abutment against edges of said housing slot to form a chamber between said housing and said diffuser from which light may only be emitted through said diffuser;

a plurality of light emitting diodes aligned in a linear array in said chamber and entirely outside of said diffuser circular cross-section; and

means for connecting said plurality of diodes to an electrical power source for energizing said diodes.

3. A simulated neon light comprising:
 - an elongated translucent diffuser having a circular cross-section;

an elongated opaque tubular housing of constant cross-section having a lengthwise slot therein, said housing having a maximum width taken in a direction parallel to a plane traversing said slot which is not greater than a diameter of said diffuser;

means for holding said diffuser in longitudinally aligned abutment against edges of said housing slot to form a chamber between said housing and said diffuser from which light may only be emitted through said diffuser;

a plurality of light emitting diodes aligned in a linear array in said chamber and entirely outside of said diffuser circular cross-section; and

means for connecting said plurality of diodes to an electrical power source for energizing said diodes.

4. A light according to claim 1, said housing having a maximum width taken in a direction parallel to a plane traversing said slot which is not greater than a diameter of said diffuser.

5. A light according to claim 1, said diffuser having a lengthwise slot therein, said slot being contiguous with said housing slot.

6. A light according to claim 1, said diodes being of the same color.

7. A light according to claim 1, said diodes being electrically connected in patterns of alternating sequential activation.

8. A light according to claim 7, said diodes being color coded according to said patterns of alternating sequential activation.

9. A light source according to claim 1, said diodes being spaced from said diffuser so as to provide an appearance of substantially homogeneous light intensity across said diffuser.

10. A light according to claim 1, said holding means comprising mating channels and flanges extending lengthwise on said diffuser and said housing.

11. A light according to claim 10, said housing being sufficiently resiliently flexible to permit said diffuser to be disengaged from and reengaged with said housing.

12. A light according to claim 1, said diffuser being made of polyethylene.

13. A light according to claim 1, said polyethylene being milky clear.

14. A light according to claim 1, said diffuser being made of material having an index of refraction approximately equal to that of polyethylene.

15. A light according to claim 1, said diodes being fixed to a circuit board.

US 6,361,186 B1

7

16. A light according to claim 15, said housing having channels for engagement of edges of said circuit board therein.

17. A light according to claim 16, said housing being sufficiently resiliently flexible to permit said circuit board to be disengaged from and reengaged with said housing. 5

18. A light according to claim 15, said housing being opposed parallel inner flanges on which said circuit board is seated.

8

19. A light according to claim 18, further comprising at least one spring clip cooperable with said housing to hold said circuit board against said inner flanges.

20. A light according to claim 1 further comprising a translucent colored coating on an exposed exterior surface of said diffuser.

* * * * *