

1 MICHAEL E. DERGOSITS (State Bar No. 118206)
2 IGOR SHOIKET (State Bar No. 190066)
3 DERGOSITS & NOAH LLP
4 Three Embarcadero Center, Suite 410
5 San Francisco, CA 94111
6 Telephone: (415) 705-6377
7 Facsimile: (415) 750-6383
8 Email: mdergosits@dergnoah.com
9 Email: ishoiket@dergnoah.com

10 Edward W. Goldstein (to be admitted pro hac vice)
11 Corby R. Vowell (to be admitted pro hac vice)
12 Alisa Lipski (to be admitted pro hac vice)
13 Califf T. Cooper (to be admitted pro hac vice)
14 GOLDSTEIN & VOWELL LLP
15 1177 West Loop South, Suite 400
16 Houston, Texas 77027
17 Telephone: (713) 877-1515
18 Facsimile: (713) 877-1145
19 Email: egoldstein@gviplaw.com
20 Email: cvowell@gviplaw.com
21 Email: alipski@gviplaw.com
22 Email: ccooper@gviplaw.com

23 Attorneys for Plaintiff
24 Solannex, Inc.

25
26 UNITED STATES DISTRICT COURT
27 NORTHERN DISTRICT OF CALIFORNIA
28 SAN FRANCISCO DIVISION

29 SOLANNEX, INC., a Delaware corporation,
30 Plaintiff,
31 v.
32 MIASOLÉ, INC., a California corporation,
33 Defendant.

34 Civil Action No.:

35 COMPLAINT FOR PATENT
36 INFRINGEMENT

37 DEMAND FOR JURY TRIAL

38 Plaintiff Solannex, Inc. ("Plaintiff" or "Solannex"), files this complaint against MiaSolé,
39 Inc. ("Defendant" or "MiaSolé"), and alleges as follows:

40 ///

FILED
JAN 11 2011
RICHARD W. WIEKING
CLERK, U.S. DISTRICT COURT
NORTHERN DISTRICT OF CALIFORNIA

E-filing

11 017 EDL

1 **THE PARTIES**

2 1. Plaintiff, Solannex is a corporation organized under the laws of Delaware having its
3 principal place of business at 17161 Copper Hill Drive, Morgan Hill, CA 95037.

4 2. Defendant, MiaSolé, on information and belief, is a corporation organized under the
5 laws of the State of California and has a principal place of business at 2590 Walsh Ave., Santa
6 Clara, CA 95051. MiaSolé may be served through its registered agent, Rachel Paris at 2000
7 University Ave., East Palo Alto, CA 94303.

8
9 **JURISDICTION & VENUE**

10 3. This is an action for infringement of a United States patent. Accordingly, this action
11 arises under the patent laws of the United States of America, 35 U.S.C. § 1 et seq., and jurisdiction
12 is properly based on 35 U.S.C. § 271 and 28 U.S.C. § 1338(a).

13 4. Venue is proper in this district under 28 U.S.C. §§ 1391(b-c) and 1400(b). Upon
14 information and belief, MiaSolé transacts or has transacted business in this judicial district, or
15 committed and/or induced acts of patent infringement in this district. Plaintiff Solannex has a
16 principal place of business in this judicial district.

17
18 **INTRADISTRICT ASSIGNMENT**

19 5. This is an Intellectual Property Action subject to district-wide assignment under
20 Civil L.R. 3-2(c).

21
22 **FIRST CAUSE OF ACTION – PATENT INFRINGEMENT**

23 6. Plaintiff incorporates by reference the allegations of paragraphs 1-5 of this
24 Complaint, as though set forth fully herein.

25 7. On Dec 22, 2009, United States Patent No. 7,635,810 (“the ‘810 patent”) entitled
26 “Substrate and Collector Grid Structures for Integrated Photovoltaic Arrays and Process of
27 Manufacture of Such Arrays” was duly and legally issued. It is assigned to Solannex. The ‘810
28

1 patent, in general, relates to interconnections of multiple photovoltaic cells. A copy of the '810
2 patent is attached as Exhibit A.

3 8. Pursuant to 35 U.S.C. § 282, the '810 patent is presumed valid.

4 9. In early 2006, Dr. Daniel Luch, inventor of the '810 patent, met Dave Pearce and
5 Dennis Hollars, CEO and CTO of MiaSolé, respectively, in San Jose, California. During this
6 meeting, Dave Pearce and Dennis Hollars indicated to Dr. Luch that they were dissatisfied with
7 MiaSolé's current grid and interconnection methods.

8 10. On April 14, 2006, Dr. Luch and MiaSolé entered into a non-disclosure agreement.
9 A copy of the non-disclosure agreement is attached as Exhibit B. With the NDA in place, Dr. Luch
10 provided MiaSolé additional details about his proprietary technology. Multiple samples were also
11 provided to MiaSolé. The samples included separately prepared grid and interconnect structures on
12 various substrates.

13 11. A particularly advantageous substrate was recommended to MiaSolé by Dr. Luch
14 and comprised a co-extrusion of a polyethyleneterephthalate (PET) support film and ethylene vinyl
15 acetate (EVA) adhesive. This substrate was supplied by Clear Lam Corporation based in Elk Grove
16 Village, IL. In May or June of 2006, Dr. Luch provided approximately thirty samples to MiaSolé.
17 The samples comprised a separately prepared grid and interconnect structure on a PET/EVA
18 substrate supplied by Clear Lam. It was Dr. Luch's understanding that the samples were to be used
19 for a technology demonstration at a MiaSolé Board of Directors meeting to be held in mid-June.

20 12. On June 6, 2006, Bill Sanders of MiaSolé requested a quote from Dr. Luch for
21 various production volumes for his separate grid and interconnect technology. A copy of the e-
22 mail requesting the quote is attached as Exhibit C.

23 13. On June 13, 2006, MiaSolé filed U.S. Pat. Applications 11/451,604 and 11/451,606
24 that taught key aspects of Dr. Luch's proprietary technology including a separate current collecting
25 grid and interconnect structure on a polymer support film. Dr. Luch was not named as an inventor
26 on either application nor was he notified of either application.

27 14. Following delivery of the samples, MiaSolé ceased all communication with Dr.
28 Luch, despite repeated requests from Dr. Luch for additional information.

1 15. MiaSolé now makes solar panels using the proprietary technology provided to
2 MiaSolé by Dr. Luch under the NDA.

3 16. On May 13, 2009, MiaSolé filed an initial disclosure statement for patent application
4 11/451,604 which cited publication number 2006/0180195A1 which corresponds to the 7,635,810
5 patent. Consequently, MiaSolé has been aware of Dr. Luch's intellectual property technology since
6 at least May 13, 2009.

7 17. MiaSolé, on information and belief, manufactures, uses, and sells photovoltaic
8 modules¹, including but not limited to the MR-series (MR-100, MR-107, and MR-111), that
9 infringe at least claims 1-11, 16, 18-23, and 30-32 of the '810 patent. By manufacturing, using
10 and/or selling such products, MiaSolé has willfully infringed and continues to infringe, contribute
11 to the infringement of, or induce the infringement of at least claims 1-11, 16, 18-23, and 30-32 of
12 the '810 patent, either literally or under the doctrine of equivalents.

13 18. Accordingly, MiaSolé's acts of infringement of the '810 patent, as alleged above,
14 have injured Solannex and thus, Solannex is entitled to recover damages adequate to compensate it
15 for MiaSolé's acts of infringement, which in no event can be less than a reasonable royalty.

16
17 **PRAYER FOR RELIEF**

18 WHEREFORE, Plaintiff prays for entry of judgment:

19 A. that MiaSolé has infringed one or more claims of the '810 patent;

20 B. that MiaSolé accounts for and pays to Solannex all damages caused by the past
21 infringement of the '810 patent, which by statute can be no less than a reasonable royalty;

22 C. that a permanent injunction enjoins MiaSolé and their officers, directors, agent,
23 servants, affiliates, employees, divisions, branches, subsidiaries, parents, and all others acting in
24 active concert therewith from infringing the '810 patent;

25 D. that Solannex be granted pre-judgment and post-judgment interest on the damages
26 caused to them by reason of MiaSolé's infringement of the '810 patent;

27 E. that Solannex be granted its attorneys' fees in this action;

28 ¹ <http://www.miasole.com/products>

1 F. that costs be awarded to Solannex;


2 G. that Solannex be granted such other and further relief as the Court may deem just
3 and proper under the current circumstances.

4
5 Dated: January 11, 2011

Respectfully submitted

6

7

By: 

8

MICHAEL E. DERGOSITS (State Bar No. 118206)
IGOR SHOIKET (State Bar No. 190066)
DERGOSITS & NOAH LLP
Three Embarcadero Center, Suite 410
San Francisco, CA 94111

9

10

11

Edward W. Goldstein (to be admitted pro hac vice)
Corby R. Vowell (to be admitted pro hac vice)
Alisa Lipski (to be admitted pro hac vice)
Califf T. Cooper (to be admitted pro hac vice)
GOLDSTEIN & VOWELL LLP
1177 West Loop South, Suite 400
Houston, Texas 77027

12

13

14

15

Attorneys for Plaintiff Solannex, Inc.

16

17

18

19

20

21

22

23

24

25

26

27

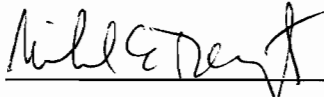
28

1 **JURY DEMAND**

2
3 Pursuant to Rule 38(b) of the Federal Rules of Civil Procedure, Plaintiff Solannex, Inc.
4 hereby demands a trial by jury for all issues so triable.

5
6 Dated: January 11, 2011

Respectfully submitted

7
8 By: 

9 MICHAEL E. DERGOSITS (State Bar No. 118206)
10 IGOR SHOIKET (State Bar No. 190066)
11 DERGOSITS & NOAH LLP
12 Three Embarcadero Center, Suite 410
13 San Francisco, CA 94111

14 Edward W. Goldstein (to be admitted pro hac vice)
15 Corby R. Vowell (to be admitted pro hac vice)
16 Alisa Lipski (to be admitted pro hac vice)
17 Califf T. Cooper (to be admitted pro hac vice)
18 GOLDSTEIN & VOWELL LLP
19 1177 West Loop South, Suite 400
20 Houston, Texas 77027

21 Attorneys for Plaintiff Solannex, Inc.
22
23
24
25
26
27
28

EXHIBIT A



US007635810B2

(12) **United States Patent**
Luch

(10) **Patent No.:** **US 7,635,810 B2**
(45) **Date of Patent:** **Dec. 22, 2009**

(54) **SUBSTRATE AND COLLECTOR GRID STRUCTURES FOR INTEGRATED PHOTOVOLTAIC ARRAYS AND PROCESS OF MANUFACTURE OF SUCH ARRAYS**

(76) Inventor: **Daniel Luch**, 17161 Copper Hill Dr., Morgan Hill, CA (US) 95037

(*) Notice: Subject to any disclaimer, the term of this patent is extended or adjusted under 35 U.S.C. 154(b) by 0 days.

(21) Appl. No.: **11/404,168**

(22) Filed: **Apr. 13, 2006**

(65) **Prior Publication Data**
US 2006/0180195 A1 Aug. 17, 2006

Related U.S. Application Data
(63) Continuation-in-part of application No. 10/776,480, filed on Feb. 11, 2004, now abandoned, which is a continuation-in-part of application No. 10/682,093, filed on Oct. 8, 2003, which is a continuation-in-part of application No. 10/186,546, filed on Jul. 1, 2002, now abandoned, which is a continuation-in-part of application No. 09/528,086, filed on Mar. 17, 2000, now Pat. No. 6,414,235, which is a continuation-in-part of application No. 09/281,656, filed on Mar. 30, 1999, now Pat. No. 6,239,352.

(51) **Int. Cl.**
H01L 31/00 (2006.01)
(52) **U.S. Cl.** **136/256**; 136/244; 136/252; 136/258
(58) **Field of Classification Search** 136/244, 136/252, 242, 251
See application file for complete search history.

(56) **References Cited**
U.S. PATENT DOCUMENTS
3,369,939 A * 2/1968 Myer 136/246
3,376,163 A 4/1968 Abrahamsohn

3,442,007 A	5/1969	Griffin et al.
3,480,473 A	11/1969	Tanos
3,483,038 A	12/1969	Hui et al.
3,523,875 A	8/1970	Minklei
3,619,382 A	11/1971	Lupinski
3,682,786 A	8/1972	Brown et al.
3,764,280 A	10/1973	Lupinski
3,865,699 A	2/1975	Luch
3,888,697 A	6/1975	Bogus et al.
3,903,427 A	9/1975	Pack
3,978,333 A	8/1976	Crisman et al.
4,009,093 A	2/1977	Luch
4,038,042 A	7/1977	Adelman
4,087,960 A	5/1978	Koichi

(Continued)

FOREIGN PATENT DOCUMENTS

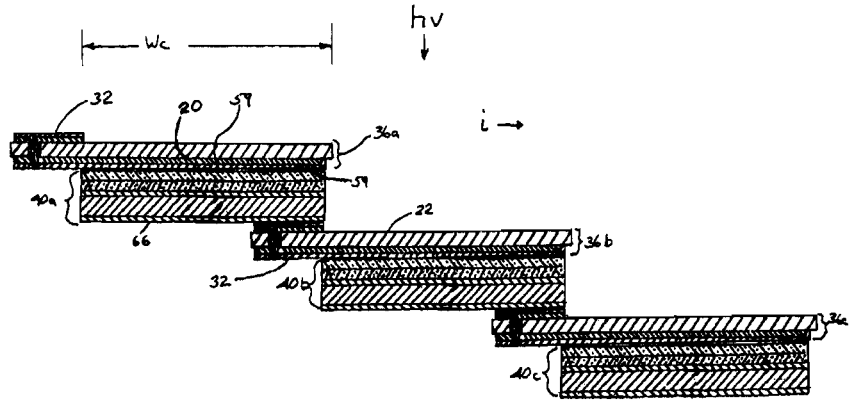
JP H10-027919 * 1/1998

Primary Examiner—Nam X Nguyen
Assistant Examiner—J. Christopher Ball

(57) **ABSTRACT**

A interconnected arrangement of photovoltaic cells is readily and efficiently achieved by using a unique interconnecting strap. The strap comprises electrically conductive fingers which contact the top light incident surface of a first cell and extend to an interconnect region of the strap. The interconnect region may include through holes which allow electrical communication between top and bottom surfaces of the interconnect region. In one embodiment, the electrically conductive surface of the fingers is in electrical communication with an electrically conductive surface formed on the opposite side of the strap through the through holes of the interconnect region. The interconnection strap may comprise a laminating film to facilitate manufacture and assembly of the interconnected arrangement.

32 Claims, 7 Drawing Sheets



U.S. PATENT DOCUMENTS

4,101,385 A	7/1978	Luch	5,380,371 A	1/1995	Murakami
4,127,424 A	11/1978	Ullery	5,385,848 A	1/1995	Grimmer
4,158,612 A	6/1979	Luch et al.	5,419,781 A	5/1995	Hamakawa et al.
4,191,617 A	3/1980	Hurley et al.	5,421,908 A	6/1995	Yoshida et al.
4,195,117 A	3/1980	Luch	5,428,249 A	6/1995	Sawayama et al.
4,260,429 A	4/1981	Moyer	5,457,057 A	10/1995	Nath et al.
4,278,473 A	7/1981	Borden	5,466,302 A	11/1995	Carey et al.
4,278,510 A	7/1981	Chien et al.	5,474,620 A	12/1995	Nath et al.
4,283,591 A	8/1981	Boer	5,474,621 A	12/1995	Barnard
4,348,546 A	9/1982	Little	5,547,516 A *	8/1996	Luch 136/244
4,380,112 A	4/1983	Little	5,567,296 A	10/1996	Luch
4,395,362 A	7/1983	Satoh et al.	5,575,861 A	11/1996	Younan et al.
4,425,262 A	1/1984	Kawai et al.	5,593,901 A	1/1997	Oswald et al.
4,428,110 A	1/1984	Kim	5,620,528 A	4/1997	Schade et al.
4,429,020 A	1/1984	Luch	5,626,686 A	5/1997	Yoshida
4,443,651 A	4/1984	Swartz	5,626,688 A	5/1997	Probst et al.
4,507,181 A	3/1985	Nath et al.	5,637,537 A	6/1997	Nath et al.
4,510,079 A	4/1985	Kawai et al.	5,674,325 A	10/1997	Albright et al.
4,514,580 A *	4/1985	Bartlett 136/250	5,679,176 A	10/1997	Tsuzuki et al.
4,517,403 A	5/1985	Morel et al.	5,681,402 A	10/1997	Ichinose et al.
4,542,255 A	9/1985	Tanner et al.	5,733,381 A	3/1998	Ota et al.
4,584,427 A	4/1986	Mackamul et al.	5,735,966 A	4/1998	Luch
4,585,490 A	4/1986	Raffel et al.	5,759,291 A	6/1998	Ichinose et al.
4,586,988 A	5/1986	Nath et al.	5,865,904 A	2/1999	Tanda
4,603,092 A	7/1986	Luch	5,868,869 A	2/1999	Albright et al.
4,603,470 A	8/1986	Yamazaki	5,897,715 A *	4/1999	Ward et al. 136/244
4,617,421 A *	10/1986	Nath et al. 136/244	5,951,786 A	9/1999	Gee et al.
4,624,045 A	11/1986	Ishihara et al.	6,239,352 B1 *	5/2001	Luch 136/244
4,675,468 A *	6/1987	Basol et al. 136/256	6,372,538 B1	4/2002	Wendt et al.
4,697,041 A	9/1987	Okaniwa et al.	6,414,235 B1	7/2002	Luch
4,704,369 A	11/1987	Nath et al.	6,459,032 B1	10/2002	Luch
4,724,011 A	2/1988	Turner et al.	6,553,729 B1	4/2003	Nath et al.
4,745,078 A	5/1988	Stetter et al.	6,582,887 B2	6/2003	Luch
4,746,618 A	5/1988	Nath et al.	6,729,081 B2	5/2004	Nath et al.
4,758,526 A	7/1988	Thalheimer	6,803,513 B2	10/2004	Beernink et al.
4,769,086 A	9/1988	Tanner et al.	7,276,724 B2	10/2007	Sheats et al.
4,965,655 A *	10/1990	Grimmer et al. 257/56	2005/0241692 A1	11/2005	Rubin et al.
5,084,107 A	1/1992	Deguchi et al.	2005/0274408 A1	12/2005	Li et al.
5,181,968 A	1/1993	Nath et al.	2006/0030141 A1	2/2006	Weng et al.
5,185,042 A	2/1993	Ferguson	2006/0121701 A1	6/2006	Basol
5,232,518 A	8/1993	Nath et al.	2007/0283996 A1	12/2007	Hachtmann et al.
5,238,519 A	8/1993	Nath et al.	2007/0283997 A1	12/2007	Hachtmann et al.
5,270,229 A	12/1993	Ishihara	2008/0053519 A1	3/2008	Pearce et al.
5,273,608 A	12/1993	Nath			

* cited by examiner

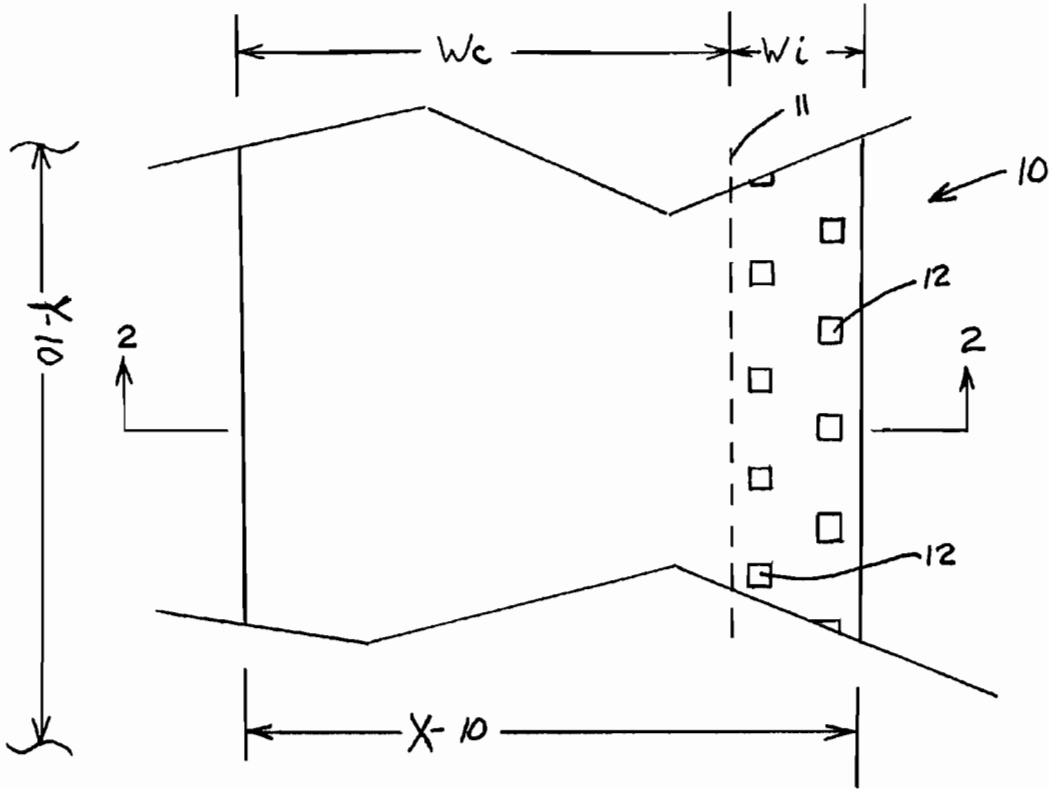


FIG. 1

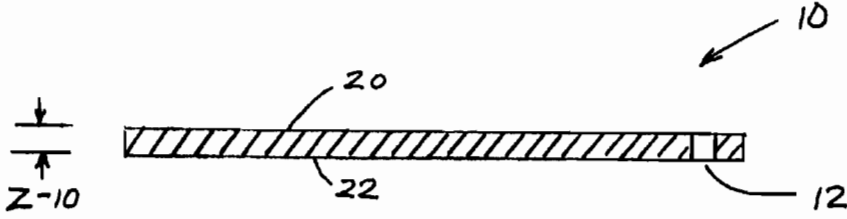


FIG. 2

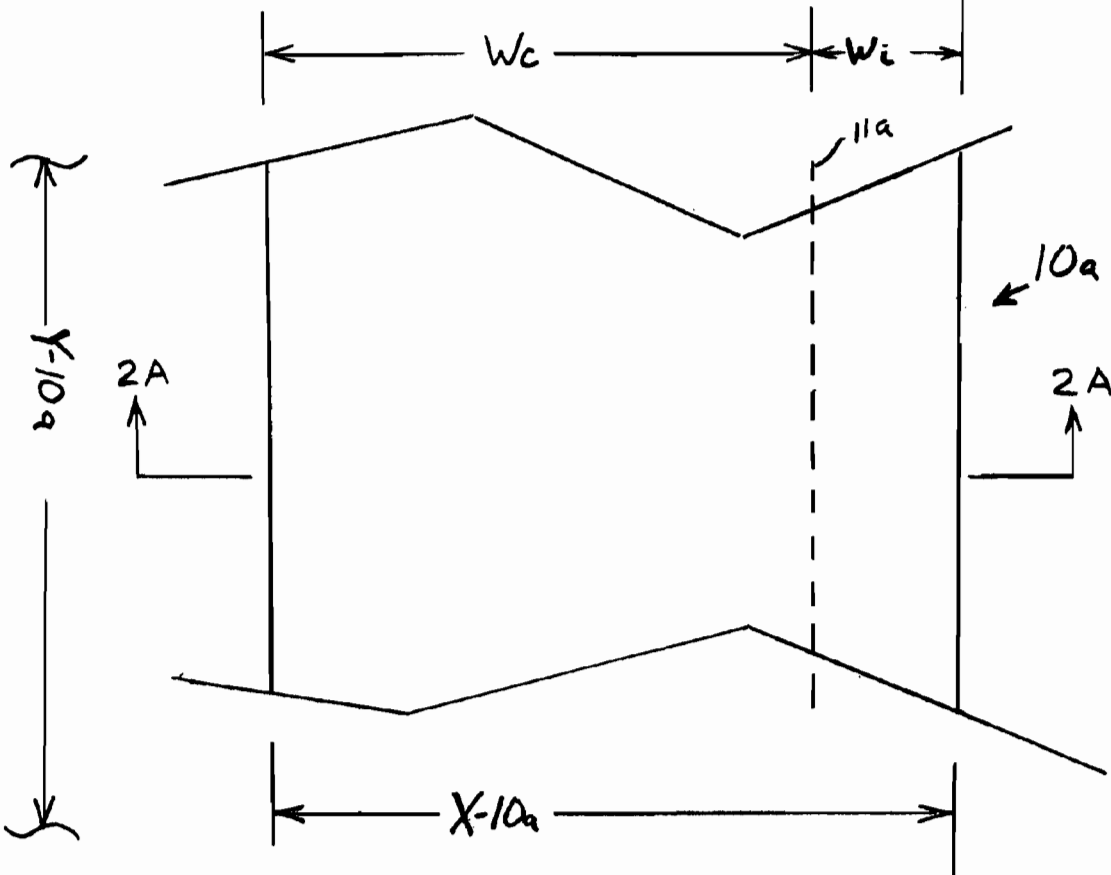


FIG. 1A

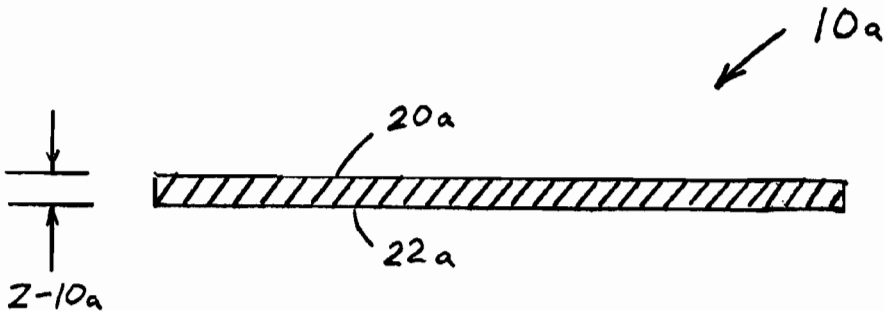


FIG 2A

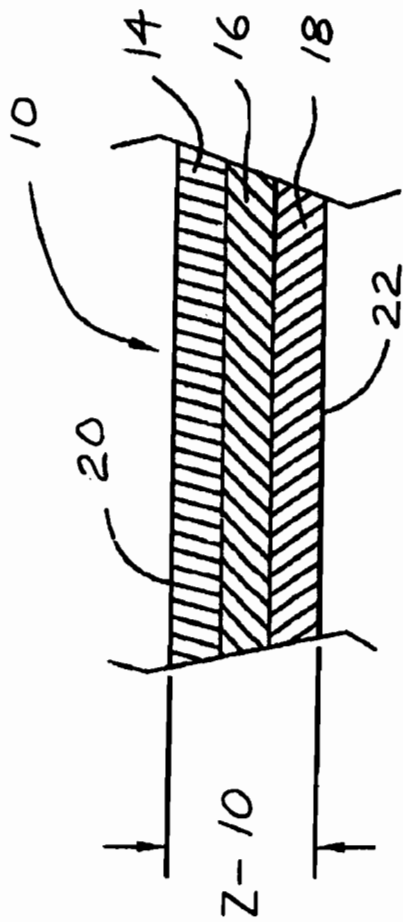


FIG. 2B

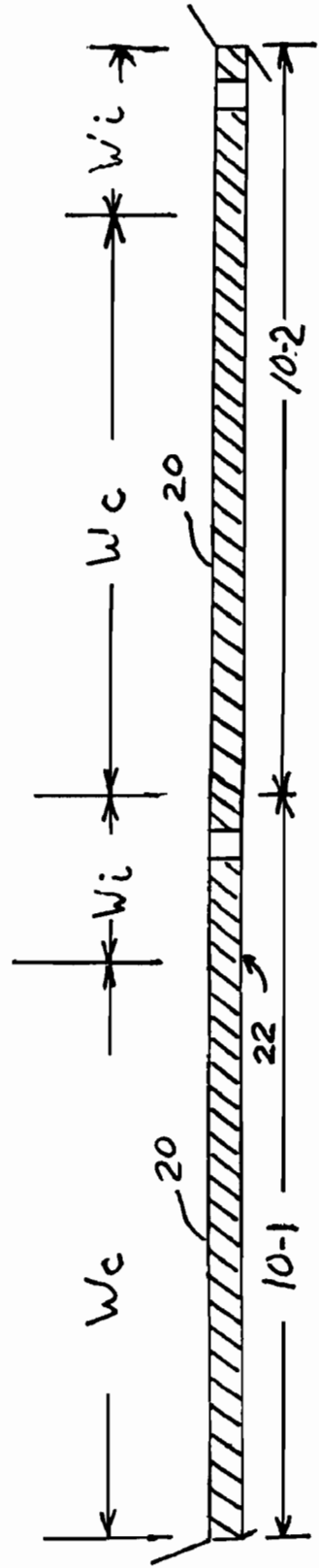


FIG. 3

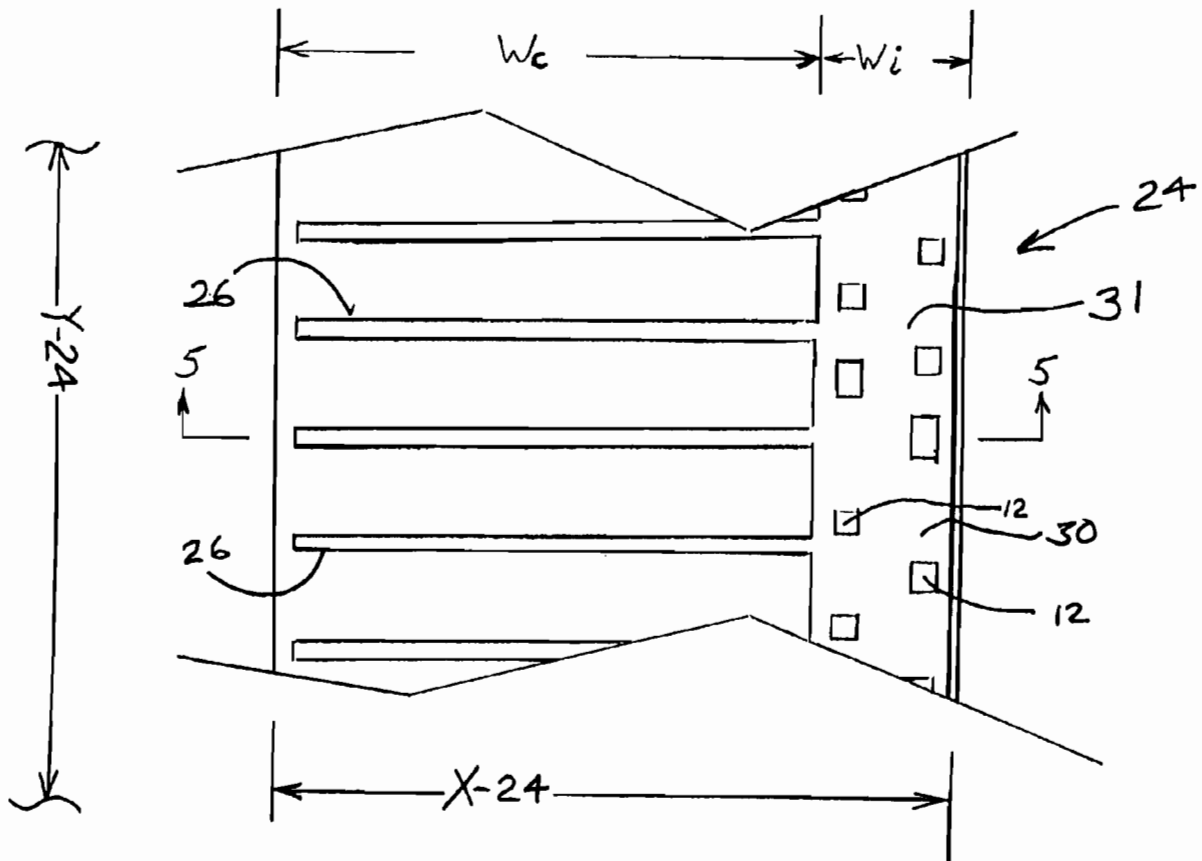


FIG. 4

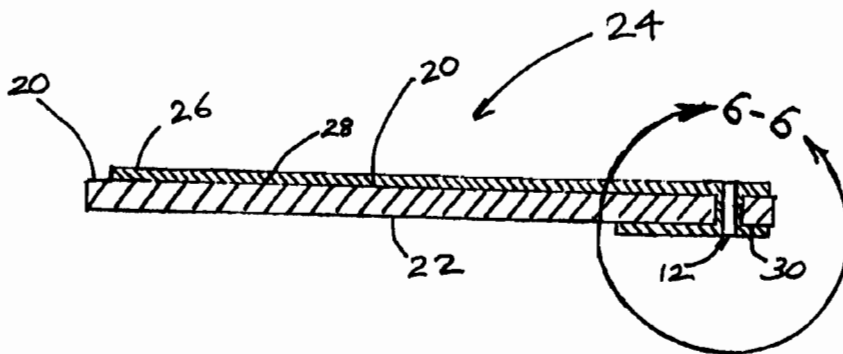


FIG. 5

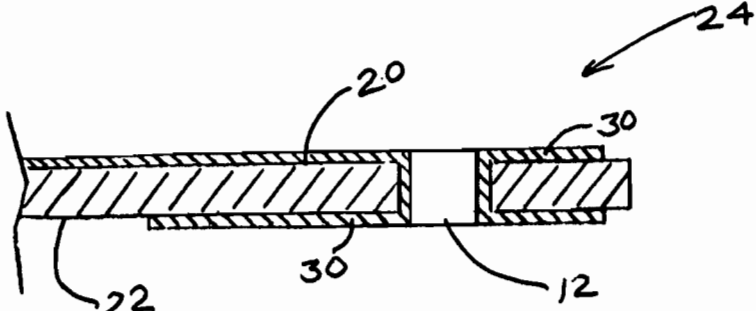


FIG. 6

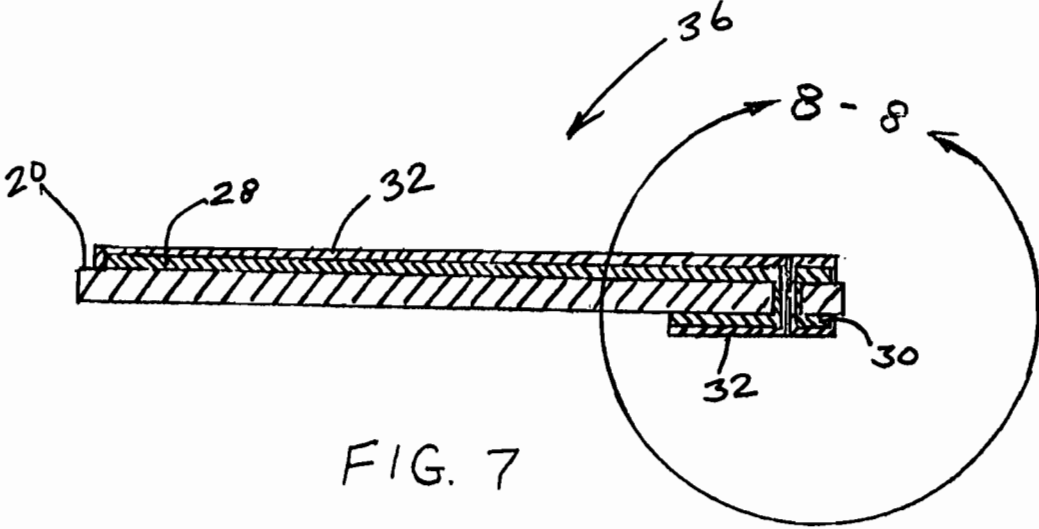


FIG. 7

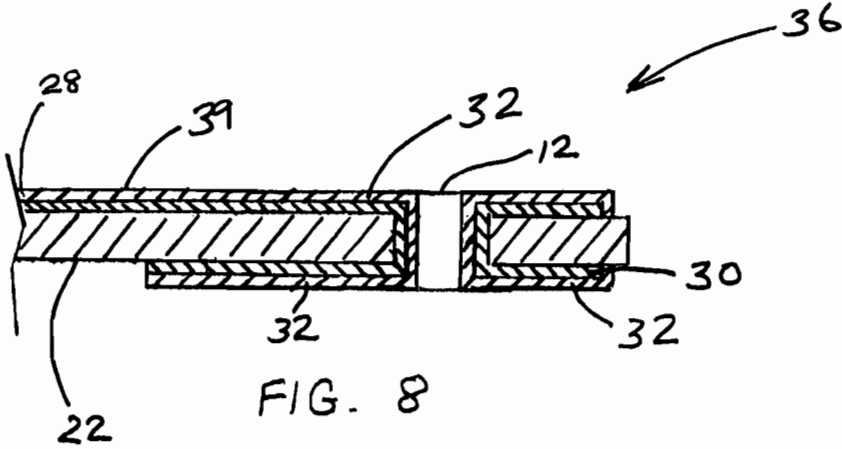


FIG. 8

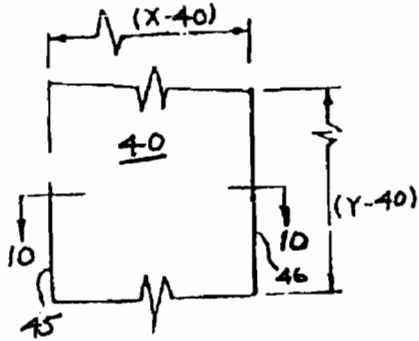


FIG. 9

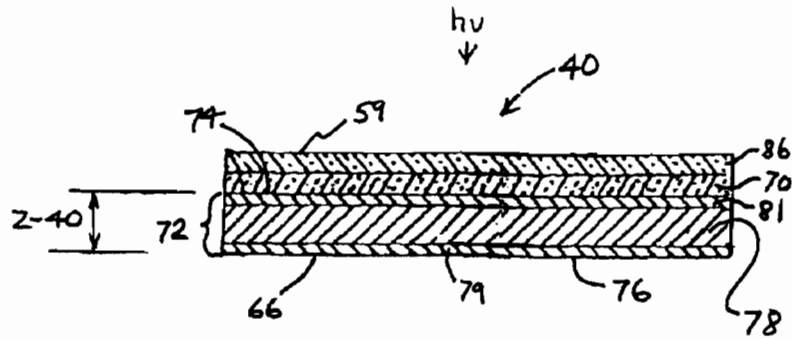


FIG. 10

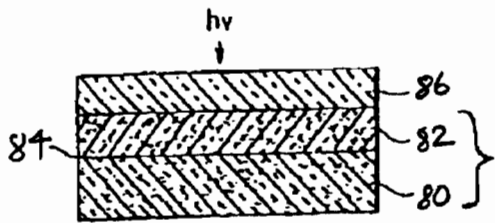


FIG. 11

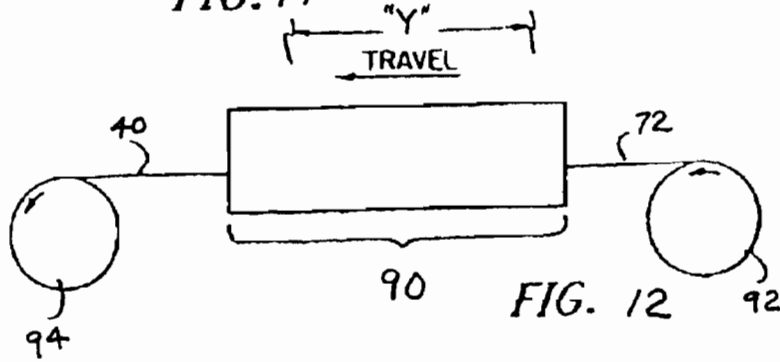


FIG. 12

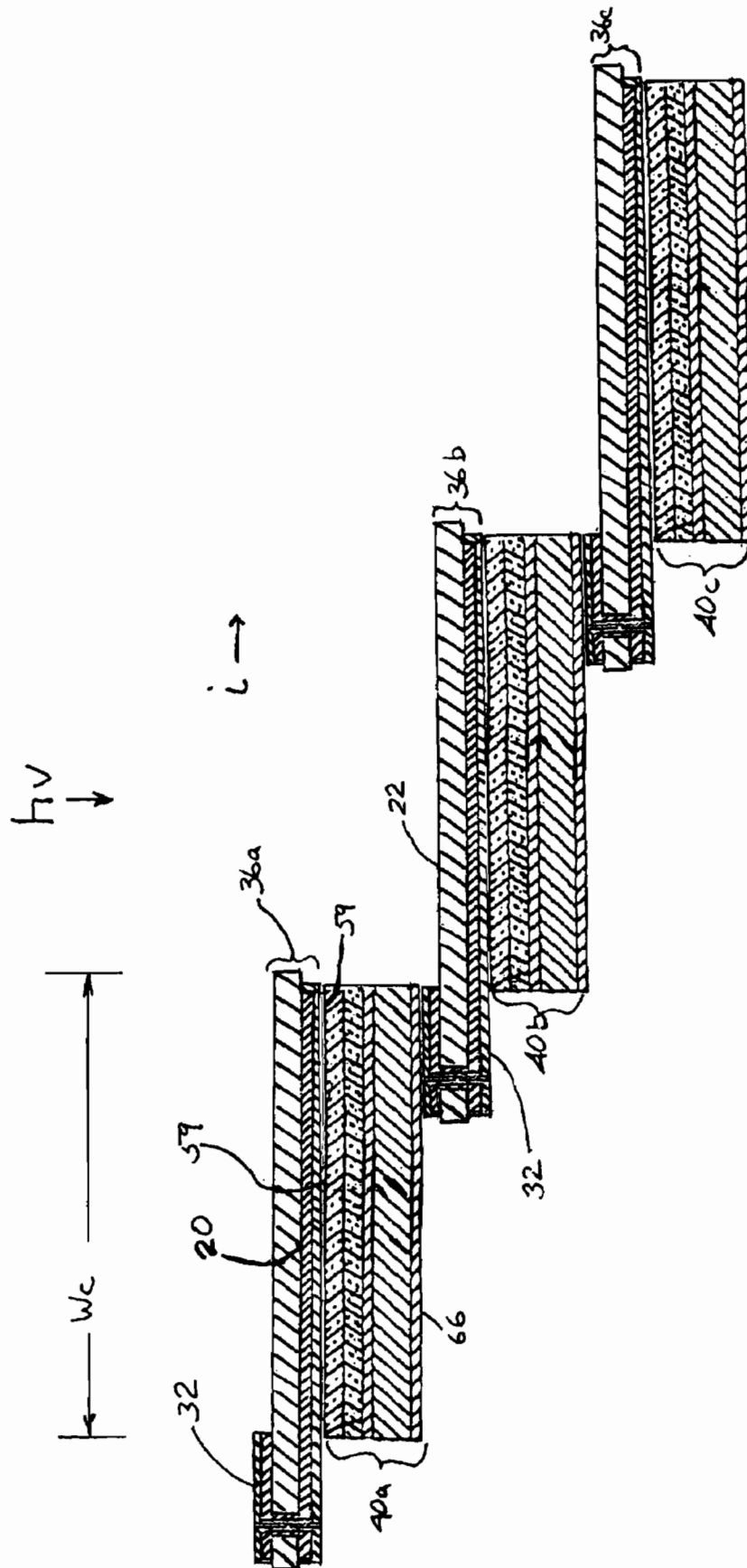


FIG. 13

**SUBSTRATE AND COLLECTOR GRID
STRUCTURES FOR INTEGRATED
PHOTOVOLTAIC ARRAYS AND PROCESS OF
MANUFACTURE OF SUCH ARRAYS**

CROSS-REFERENCE TO RELATED
APPLICATIONS

This application is a Continuation-in-Part of U.S. patent application Ser. No. 10/776,480 filed Feb. 11, 2004, now abandoned entitled Methods and Structures for the Continuous Production of Metallized or Electrically Treated Articles, which is a Continuation-in-Part of U.S. patent application Ser. No. 10/682,093 filed Oct. 8, 2003 entitled Substrate and Collector Grid Structures for Integrated Series Connected Photovoltaic Arrays and Process of Manufacture of Such Arrays, which is a Continuation-in-Part of U.S. patent application Ser. No. 10/186,546 filed Jul. 1, 2002, entitled Substrate and Collector Grid Structures for Integrated Series Connected Photovoltaic Arrays and Process of Manufacture of Such Arrays, and now U.S. Pat. No. 6,414,235, which is a Continuation-in-Part of U.S. patent application Ser. No. 09/281,656, filed Mar. 30, 1999, entitled Substrate and Collector Grid Structures for Electrically Interconnecting Photovoltaic Arrays and Process of Manufacture of Such Arrays, and now U.S. Pat. No. 6,239,352. The entire contents of the above identified applications are incorporated herein by this reference.

BACKGROUND OF THE INVENTION

Photovoltaic cells have developed according to two distinct methods. The initial operational cells employed a matrix of single crystal silicon appropriately doped to produce a planar p-n junction. An intrinsic electric field established at the p-n junction produces a voltage by directing solar photon produced holes and free electrons in opposite directions. Despite good conversion efficiencies and long-term reliability, widespread energy collection using single-crystal silicon cells is thwarted by the exceptionally high cost of single crystal silicon material and interconnection processing.

A second approach to produce photovoltaic cells is by depositing thin photovoltaic semiconductor films on a supporting substrate. Material requirements are minimized and technologies can be proposed for mass production. The thin film structures can be designed according to doped homo-junction technology such as that involving silicon films, or can employ heterojunction approaches such as those using CdTe or chalcopyrite materials. Despite significant improvements in individual cell conversion efficiencies for both single crystal and thin film approaches, photovoltaic energy collection has been generally restricted to applications having low power requirements. One factor impeding development of bulk power systems is the problem of economically collecting the energy from an extensive collection surface. Photovoltaic cells can be described as high current, low voltage devices. Typically individual cell voltage is less than one volt. The current component is a substantial characteristic of the power generated. Efficient energy collection from an expansive surface must minimize resistive losses associated with the high current characteristic. A way to minimize resistive losses is to reduce the size of individual cells and connect

them in series. Thus, voltage is stepped through each cell while current and associated resistive losses are minimized.

It is readily recognized that making effective, durable series connections among multiple small cells can be laborious, difficult and expensive. In order to approach economical mass production of series connected arrays of individual cells, a number of factors must be considered in addition to the type of photovoltaic materials chosen. These include the substrate employed and the process envisioned. Since thin films can be deposited over expansive areas, thin film technologies offer additional opportunities for mass production of interconnected arrays compared to inherently small, discrete single crystal silicon cells. Thus a number of U.S. Patents have issued proposing designs and processes to achieve series interconnections among the thin film photovoltaic cells. Many of these technologies comprise deposition of photovoltaic thin films on glass substrates followed by scribing to form smaller area individual cells. Multiple steps then follow to electrically connect the individual cells in series array. Examples of these proposed processes are presented in U.S. Pat. Nos. 4,443,651, 4,724,011, and 4,769,086 to Swartz, Turner et al. and Tanner et al. respectively. While expanding the opportunities for mass production of interconnected cell arrays compared with single crystal silicon approaches, glass substrates must inherently be processed on an individual batch basis.

More recently, developers have explored depositing wide area films using continuous roll-to-roll processing. This technology generally involves depositing thin films of photovoltaic material onto a continuously moving web. However, a challenge still remains regarding subdividing the expansive films into individual cells followed by interconnecting into a series connected array. For example, U.S. Pat. No. 4,965,655 to Grimmer et. al. and U.S. Pat. No. 4,697,041 to Okamiwa teach processes requiring expensive laser scribing and interconnections achieved with laser heat staking. In addition, these two references teach a substrate of thin vacuum deposited metal on films of relatively expensive polymers. The electrical resistance of thin vacuum metallized layers significantly limits the active area of the individual interconnected cells.

It has become well known in the art that the efficiencies of certain promising thin film photovoltaic junctions can be substantially increased by high temperature treatments. These treatments involve temperatures at which even the most heat resistant plastics suffer rapid deterioration, thereby requiring either ceramic, glass, or metal substrates to support the thin film junctions. Use of a glass or ceramic substrates generally restricts one to batch processing and handling difficulty. Use of a metal foil as a substrate allows continuous roll-to-roll processing. However, despite the fact that use of a metal foil allows high temperature processing in roll-to-roll fashion, the subsequent interconnection of individual cells effectively in an interconnected array has proven difficult, in part because the metal foil substrate is electrically conducting.

U.S. Pat. No. 4,746,618 to Nath et al. teaches a design and process to achieve interconnected arrays using roll-to-roll processing of a metal web substrate such as stainless steel. The process includes multiple operations of cutting, selective deposition, and riveting. These operations add considerably to the final interconnected array cost.

U.S. Pat. No. 5,385,848 to Grimmer teaches roll-to-roll methods to achieve integrated series connections of adjacent thin film photovoltaic cells supported on an electrically conductive metal substrate. The process includes mechanical or chemical etch removal of a portion of the photovoltaic semi-

conductor and transparent top electrode to expose a portion of the electrically conductive metal substrate. The exposed metal serves as a contact area for interconnecting adjacent cells. These material removal techniques are troublesome for a number of reasons. First, many of the chemical elements involved in the best photovoltaic semiconductors are expensive and environmentally unfriendly. This removal subsequent to controlled deposition involves containment, dust and dirt collection and disposal, and possible cell contamination. This is not only wasteful but considerably adds to expense. Secondly, the removal processes are difficult to control dimensionally. Thus a significant amount of the valuable photovoltaic semiconductor is lost to the removal process. Ultimate module efficiencies are further compromised in that the spacing between adjacent cells grows, thereby reducing the effective active collector area for a given module area.

Thus there remains a need for an inexpensive manufacturing process which allows high heat treatment for thin film photovoltaic junctions while also offering unique means to achieve effective integrated series connections.

A further unsolved problem which has thwarted production of expansive surface photovoltaic modules is that of collecting the photogenerated current from the top, light incident surface. Transparent conductive oxide (TCO) layers have been employed as a top surface electrode. However, these TCO layers are relatively resistive compared to pure metals. This fact forces individual cell widths to be reduced in order to prevent unacceptable resistive power losses. As cell widths decrease, the width of the area between individual cells (interconnect area) should also decrease so that the relative portion of inactive surface of the interconnect area does not become excessive. Typical cell widths of one centimeter are often taught in the art. These small cell widths demand very fine interconnect area widths, which dictate delicate and sensitive techniques to be used to electrically connect the top TCO surface of one cell to the bottom electrode of an adjacent series connected cell. Furthermore, achieving good stable ohmic contact to the TCO cell surface has proven difficult, especially when one employs those sensitive techniques available when using the TCO only as the top collector electrode. The problem of collecting photovoltaic generated current from the top light impinging surface of a photovoltaic cell has been addressed in a number of ways, none entirely successful.

In a somewhat removed segment of technology, a number of electrically conductive fillers have been used to produce electrically conductive polymeric materials. This technology generally involves mixing of the conductive filler into the polymer resin prior to fabrication of the material into its final shape. Conductive fillers typically consist of high aspect ratio particles such as metal fibers, metal flakes, or highly structured carbon blacks, with the choice based on a number of cost/performance considerations. Electrically conductive resins have been used as bulk thermoplastic compositions, or formulated into paints. Their development has been spurred in large part by electromagnetic radiation shielding and static discharge requirements for plastic components used in the electronics industry. Other known applications include resistive heating fibers and battery components.

In yet another separate technological segment, electroplating on plastic substrates has been employed to achieve decorative effects on items such as knobs, cosmetic closures, faucets, and automotive trim. ABS (acrylonitrile-butadiene-styrene) plastic dominates as the substrate of choice for most applications because of a blend of mechanical and process properties and ability to be uniformly etched. The overall plating process comprises many steps. First, the plastic sub-

strate is chemically etched to microscopically roughen the surface. This is followed by depositing an initial metal layer by chemical reduction (typically referred to as "electroless plating"). This initial metal layer is normally copper or nickel of thickness typically one-half micrometer. The object is then electroplated with metals such as bright nickel and chromium to achieve the desired thickness and decorative effects. The process is very sensitive to processing variables used to fabricate the plastic substrate, limiting applications to carefully molded parts and designs. In addition, the many steps employing harsh chemicals make the process intrinsically costly and environmentally difficult. Finally, the sensitivity of ABS plastic to liquid hydrocarbons has prevented certain applications. The conventional technology for electroplating on plastic (etching, chemical reduction, electroplating) has been extensively documented and discussed in the public and commercial literature. See, for example, Saubestre, Transactions of the Institute of Metal Finishing, 1969, Vol. 47., or Arcilesi et al., Products Finishing, March 1984.

A number of attempts have been made to simplify the electroplating of plastics. If successful such efforts could result in significant cost reductions for electroplated plastics and could allow facile continuous electroplating of plastics to be practically employed, thus permitting new applications. Some simplification attempts involve special chemical techniques, other than conventional electroless metal deposition, to produce an electrically conductive film on the surface. Typical examples of the approach are taught by U.S. Pat. No. 3,523,875 to Minklei, U.S. Pat. No. 3,682,786 to Brown et al., and U.S. Pat. No. 3,619,382 to Lupinski. The electrically conductive surface film produced was intended to be electroplated. Multiple performance problems thwarted these attempts.

Other approaches contemplate making the plastic surface itself conductive enough to allow it to be electroplated directly thereby avoiding the "electroless plating" or lamination processes. Efforts have been made to advance systems contemplating metal electrodeposition directly onto the surface of polymers made conductive through incorporating conductive fillers. When considering polymers rendered electrically conductive by loading with electrically conductive fillers, it may be important to distinguish between "microscopic resistivity" and "bulk" or "macroscopic resistivity". "Microscopic resistivity" refers to a characteristic of a polymer/filler mix considered at a relatively small linear dimension of for example 1 micrometer or less. "Bulk" or "macroscopic resistivity" refers to a characteristic determined over larger linear dimensions. To illustrate the difference between "microscopic" and "bulk, macroscopic" resistivities, one can consider a polymer loaded with conductive fibers at a fiber loading of 10 weight percent. Such a material might show a low "bulk, macroscopic" resistivity when the measurement is made over a relatively large distance. However, because of fiber separation (holes) such a composite might not exhibit consistent "microscopic" resistivity. When producing an electrically conductive polymer intended to be electroplated, one should consider "microscopic resistivity" in order to achieve uniform, "hole-free" deposit coverage. Thus, it may be advantageous to consider conductive fillers comprising those that are relatively small, but with loadings sufficient to supply the required conductive contacting. Such fillers include metal powders and flake, metal coated mica or spheres, conductive carbon black, conductive nanoparticle materials, subdivided conductive polymers and the like.

Efforts to produce electrically conductive polymers suitable for direct electroplating have encountered a number of obstacles. The first is the combination of fabrication difficulty

and material property deterioration brought about by the heavy filler loadings often required. A second is the high cost of many conductive fillers employed such as silver flake.

Another obstacle involved in the electroplating of electrically conductive polymers is a consideration of adhesion between the electrodeposited metal and polymeric substrate (metal/polymer adhesion). In some cases such as electroforming, where the electrodeposited metal is eventually removed from the substrate, metal/polymer adhesion may actually be detrimental. However, in most cases sufficient adhesion is required to prevent metal/polymer separation during extended environmental and use cycles.

A number of methods to enhance adhesion have been employed. For example, etching of the surface prior to plating can be considered. Etching can often be achieved by immersion in vigorous solutions such as chromic/sulfuric acid. Alternatively, or in addition, an etchable species can be incorporated into the conductive polymeric compound. The etchable species at exposed surfaces is removed by immersion in an etchant prior to electroplating. Oxidizing surface treatments can also be considered to improve metal/plastic adhesion. These include processes such as flame or plasma treatments or immersion in oxidizing acids.

In the case of conductive polymers containing finely divided metal, one can propose achieving direct metal-to-metal adhesion between electrodeposit and filler. However, here the metal particles are generally encapsulated by the resin binder, often resulting in a resin rich "skin". To overcome this effect, one could propose methods to remove the "skin", exposing active metal filler to bond to subsequently electrodeposited metal.

Another approach to impart adhesion between conductive resin substrates and electrodeposits is incorporation of an "adhesion promoter" at the surface of the electrically conductive resin substrate. This approach was taught by Chien et al. in U.S. Pat. No. 4,278,510 where maleic anhydride modified propylene polymers were taught as an adhesion promoter. Luch, in U.S. Pat. No. 3,865,699 taught that certain sulfur bearing chemicals could function to improve adhesion of initially electrodeposited Group VIII metals.

An additional major obstacle confronting development of electrically conductive polymeric resin compositions capable of being directly electroplated is the initial "bridge" of electrodeposit on the surface of the electrically conductive resin. In electrodeposition, the substrate to be plated is often made cathodic through a pressure contact to a metal contact tip, itself under cathodic potential. However, if the contact resistance is excessive or the substrate is insufficiently conductive, the electrodeposit current favors the metal contact and the electrodeposit may have difficulty bridging to the substrate. The "bridging" problem extends to substrates having low surface current carrying capacity such as vacuum metallized or electrolessly plated films. In some cases, "burning" or actual "deplating" of very thin metal deposits can be experienced during the initial moments of "bridge" formation.

Moreover, a further problem is encountered even if specialized racking or contacting successfully achieves electrodeposit bridging to the substrate. Many of the electrically conductive polymeric resins have resistivities far higher than those of typical metal substrates. Also in many cases, such as the electroplating of conductive ink patterns or thin metal films, the conductive material may be relatively thin. The initial conductive substrate can be relatively limited in the amount of electrodeposition current which it alone can convey. In these cases the initial conductive substrate may not cover almost instantly with electrodeposit as is typical with thicker metallic substrates. Rather the electrodeposit cover-

age may result from lateral growth over the surface, with a significant portion of the electrodeposition current, including that associated with the lateral electrodeposit growth, passing through the previously electrodeposited metal. This restricts the size and "growth length" of the substrate conductive pattern, increases plating costs, and can also result in large non-uniformities in electrodeposit integrity and thickness over the pattern.

Rates of this lateral growth likely depend on the ability of the substrate to convey current. Thus, the thickness and resistivity of the initial conductive substrate can be defining factors in the ability to achieve satisfactory electrodeposit coverage rates. When dealing with extended electroplated patterns, long narrow metal traces are often desired, deposited on relatively thin initial conductive substrates such as printed inks. These factors of course work against achieving the desired result.

This coverage rate problem likely can be characterized by a continuum, being dependent on many factors such as the nature of the initially electrodeposited metal, applied voltage, electroplating bath chemistry, the nature of the polymeric binder and the resistivity of the electrically conductive polymeric substrate. As a "rule of thumb", the instant inventor estimates that coverage rate problems would demand attention if the resistivity of the conductive polymeric substrate rose above about 0.001 ohm-cm. Alternatively, electrical current carrying capacity of thin films is often reported as a surface resistivity in "ohms per square". Using this measure, the inventor estimates that coverage rate issues may demand attention should the surface resistivity rise above about 0.01 ohms per square.

Beset with the problems of achieving adhesion and satisfactory electrodeposit coverage rates, investigators have attempted to produce directly electroplateable polymers by heavily loading polymers with relatively small conductive filler particles. Fillers include finely divided metal powders and flake, conductive metal oxides and intrinsically conductive polymers. Heavy loadings may be sufficient to reduce both microscopic and macroscopic resistivity to levels where the coverage rate phenomenon may be manageable. However, attempts to make an acceptable directly electroplateable resin using the relatively small fillers alone encounter a number of barriers. First, the fine conductive fillers can be relatively expensive. The loadings required to achieve the particle-to-particle proximity to achieve acceptable conductivity increases the cost of the polymer/filler blend dramatically. The fine fillers may bring further problems. They tend to cause deterioration of the mechanical properties and processing characteristics of many resins. This significantly limits options in resin selection. All polymer processing is best achieved by formulating resins with processing characteristics specifically tailored to the specific process (injection molding, extrusion, blow molding, printing, etc.). A required heavy loading of filler severely restricts ability to manipulate processing properties in this way. A further problem is that metal fillers can be abrasive to processing machinery and may require specialized screws, barrels, and the like. Finally, despite being electrically conductive, a polymer filled with conductive particles still offers no mechanism to produce adhesion of an electrodeposit since the particles may be essentially encapsulated by the resin binder, often resulting in a non-conductive or non-binding resin-rich "skin".

For the above reasons, fine conductive particle containing plastics have not been widely used as bulk substrates for directly electroplateable articles. Rather, they have found applications in production of conductive adhesives, pastes, and inks. Recent activity has been reported wherein polymer

inks heavily loaded with silver particles have been proposed as a "seed layer" upon which subsequent electrodeposition of metal is achieved. However, high material costs, application complexity, electrodeposit growth rate issues and adhesion remain with these approaches. In addition, it has been reported that these films are typically deposited at a thickness of approximately 3 microns resulting in a surface resistance of approximately 0.15 ohms per square. Such low current carrying capacity films likely would experience the electroplating problems discussed above.

The least expensive (and least conductive) of the readily available conductive fillers for plastics are carbon blacks. Typically the resistivity of a conductive polymer is not reduced below approximately 1 ohm-cm using carbon black alone. Thus in a thin film form at a thickness of 5 microns a surface resistivity would typically be approximately 2,000 ohms per square. Attempts have been made to produce electrically conductive polymers based on carbon black loading intended to be subsequently electroplated. Examples of this approach are the teachings of U.S. Pat. Nos. 4,038,042, 3,865,699, and 4,278,510 to Adelman, Luch, and Chien et al. respectively.

Adelman taught incorporation of conductive carbon black into a polymeric matrix to achieve electrical conductivity required for electroplating. The substrate was pre-etched in chromic/sulfuric acid to achieve adhesion of the subsequently electroplated metal. However, the rates of electrodeposit coverage reported by Adelman may be insufficient for many applications.

Luch in U.S. Pat. No. 3,865,699 and Chien et al. in U.S. Pat. 4,278,510 also chose carbon black as a filler to provide an electrically conductive surface for the polymeric compounds to be electroplated. The Luch Patent 3,865,699 and the Chien Patent 4,278,510 are hereby incorporated in their entirety by this reference. However, these inventors further taught inclusion of an electrodeposit coverage or growth rate accelerator to overcome the galvanic bridging and lateral electrodeposit growth rate problems described above. An electrodeposit coverage rate accelerator is an additive functioning to increase the electrodeposition coverage rate over and above any affect it may have on the conductivity of an electrically conductive polymer. In the embodiments, examples and teachings of U.S. Pat. Nos. 3,865,699 and 4,278,510, it was shown that certain sulfur bearing materials, including elemental sulfur, can function as electrodeposit coverage or growth rate accelerators to overcome those problems associated with electrically conductive polymeric substrates having relatively high resistivity.

In addition to elemental sulfur, sulfur in the form of sulfur donors such as sulfur chloride, 2-mercapto-benzothiazole, N-cyclohexyle-2-benzothiazole sulfonamide, dibutyl xanthogen disulfide, and tetramethyl thiuram disulfide or combinations of these and sulfur were identified. Those skilled in the art will recognize that these sulfur donors are the materials which have been used or have been proposed for use as vulcanizing agents or accelerators. Since the polymer-based compositions taught by Luch and Chien et al. could be electroplated directly they could be accurately defined as directly electroplateable resins (DER). These DER materials can be generally described as electrically conductive polymers characterized by having an electrically conductive surface with the inclusion of an electrodeposit coverage rate accelerator. In the following, the acronym "DER" will be used to designate a directly electroplateable resin as defined in this specification.

Specifically for the present invention, directly electroplateable resins, (DER), are characterized by the following features.

- (a) presence of an electrically conductive polymer characterized by having an electrically conductive surface;
- (b) presence of an electrodeposit coverage rate accelerator;
- (c) presence of the electrically conductive polymer characterized by having an electrically conductive surface and the electrodeposit coverage rate accelerator in the directly electroplateable composition in cooperative amounts required to achieve direct coverage of the composition with an electrodeposited metal or metal-based alloy.

In his Patents, Luch specifically identified elastomers such as natural rubber, polychloroprene, butyl rubber, chlorinated butyl rubber, polybutadiene rubber, acrylonitrile-butadiene rubber, styrene-butadiene rubber etc. as suitable for the matrix polymer of a directly electroplateable resin. Other polymers identified by Luch as useful included polyvinyls, polyolefins, polystyrenes, polyamides, polyesters and polyurethanes.

In his Patents, Luch identified carbon black as a means to render a polymer and its surface electrically conductive. As is known in the art, other conductive fillers can be used to impart conductivity to a polymer. These include metallic flakes or powders such as those comprising nickel or silver. Other fillers such as metal coated minerals and certain metal oxides may also suffice. Furthermore, one might expect that compositions comprising intrinsically conductive polymers may be suitable.

Regarding electrodeposit coverage rate accelerators, both Luch and Chien et al. in the above discussed U.S. Patents demonstrated that sulfur and other sulfur bearing materials such as sulfur donors and accelerators served this purpose when using an initial Group VIII "strike" layer. One might expect that other elements of Group 6A nonmetals, such as oxygen, selenium and tellurium, could function in a way similar to sulfur. In addition, other combinations of electrodeposited metals and nonmetal coverage rate accelerators may be identified. Finally, the electrodeposit coverage rate accelerator may not necessarily be a discrete material entity. For example, the coverage rate accelerator may consist of a functional species appended to the polymeric binder chain or a species adsorbed onto the surface of the conductive filler. It is important to recognize that such an electrodeposit coverage rate accelerator can be extremely important in order to achieve direct electrodeposition in a practical way onto polymeric substrates having low conductivity or very thin electrically conductive polymeric substrates having restricted current carrying ability.

As pointed out above in this specification, attempts to dramatically simplify the process of electroplating on plastics have met with commercial difficulties. Nevertheless, the current inventor has persisted in personal efforts to overcome certain performance deficiencies associated with electroplating onto material structures having low current carrying ability, conductive plastics and DER's. Along with these efforts has come a recognition of unique and eminently suitable applications for electrically conductive polymers and often more specifically the DER technology. Some examples of these unique applications for electroplated items include solar cell electrical current collection grids and interconnect structures, electrical circuits, electrical traces, circuit boards, antennas, capacitors, induction heaters, connectors, switches, resistors, inductors, batteries, fuel cells, coils, signal lines, power lines, radiation reflectors, coolers, diodes, transistors, piezoelectric elements, photovoltaic cells, emi shields, bio-

sensors and sensors. One readily recognizes that the demand for such functional applications for electroplated articles is relatively recent and has been particularly explosive during the past decade.

Regarding the DER technology, a first recognition is that the "microscopic" material resistivity generally is not reduced below about 1 ohm-cm. by using conductive carbon black alone. This is several orders of magnitude larger than typical metal resistivities. Other well known finely divided conductive fillers (such as metal flake or powder, metal coated minerals, graphite, or other forms of conductive carbon) can be considered in DER applications requiring lower "microscopic" resistivity. In these cases the more highly conductive fillers can be considered to augment or even replace the conductive carbon black.

Moreover, the "bulk, macroscopic" resistivity of conductive carbon black filled polymers can be further reduced by augmenting the carbon black filler with additional highly conductive, high aspect ratio fillers such as metal containing fibers. This can be an important consideration in the success of certain applications such as achieving higher current carrying capacity for a buss. Furthermore, one should realize that incorporation of non-conductive fillers may increase the "bulk, macroscopic" resistivity of conductive polymers loaded with finely divided conductive fillers without significantly altering the "microscopic resistivity" of the conductive polymer. This is an important recognition regarding DER's in that electrodeposit coverage speed depends on the presence of an electrodeposit coverage rate accelerator and on the "microscopic resistivity" and less so on the "macroscopic resistivity" of the DER formulation. Thus, large additional loadings of functional non-conductive fillers can be tolerated in DER formulations without undue sacrifice in electrodeposit coverage rates or adhesion. These additional non-conductive loadings do not greatly affect the "microscopic resistivity" associated with the polymer/conductive filler/electrodeposit coverage rate accelerator "matrix" since the non-conductive filler is essentially encapsulated by "matrix" material. Conventional "electroless" plating technology does not permit this compositional flexibility.

Yet another recognition regarding the DER technology is its ability to employ polymer resins and formulations generally chosen in recognition of the fabrication process envisioned and the intended end use requirements. In order to provide clarity, examples of some such fabrication processes are presented immediately below in subparagraphs 1 through 6.

- (1) Should it be desired to electroplate an ink, paint, coating, or paste which may be printed or formed on a substrate, a good film forming polymer, for example a soluble resin such as an elastomer, can be chosen to fabricate a DER ink (paint, coating, paste etc.). The DER ink composition can be tailored for a specific process such flexographic printing, rotary silk screening, gravure printing, flow coating, spraying etc. Furthermore, additives can be employed to improve the adhesion of the DER ink to various substrates. One example would be tackifiers.
- (2) Should it be desired to electroplate a fabric, a DER ink can be used to coat all or a portion of the fabric intended to be electroplated. Furthermore, since DER's can be fabricated out of the thermoplastic materials commonly used to create fabrics, the fabric itself could completely or partially comprise a DER. This would eliminate the need to coat the fabric.
- (3) Should one desire to electroplate a thermoformed article or structure, DER's would represent an eminently

suitable material choice. DER's can be easily formulated using olefinic materials which are often a preferred material for the thermoforming process. Furthermore, DER's can be easily and inexpensively extruded into the sheet like structure necessary for the thermoforming process.

- (4) Should one desire to electroplate an extruded article or structure, for example a sheet or film, DER's can be formulated to possess the necessary melt strength advantageous for the extrusion process.
- (5) Should one desire to injection mold an article or structure having thin walls, broad surface areas etc. a DER composition comprising a high flow polymer can be chosen.
- (6) Should one desire to vary adhesion between an electrodeposited DER structure supported by a substrate the DER material can be formulated to supply the required adhesive characteristics to the substrate. For example, the polymer chosen to fabricate a DER ink can be chosen to cooperate with an "ink adhesion promoting" surface treatment such as a material primer or corona treatment. In this regard, it has been observed that it may be advantageous to limit such adhesion promoting treatments to a single side of the substrate. Treatment of both sides of the substrate in a roll to roll process may adversely affect the surface of the DER material and may lead to deterioration in plateability. For example, it has been observed that primers on both sides of a roll of PET film have adversely affected plateability of DER inks printed on the PET. It is believed that this is due to primer being transferred to the surface of the DER ink when the PET is rolled up.

All polymer fabrication processes require specific resin processing characteristics for success. The ability to "custom formulate" DER's to comply with these changing processing and end use requirements while still allowing facile, quality electroplating is a significant factor in the teachings of the current invention. Conventional plastic electroplating technology does not permit great flexibility to "custom formulate".

Another important recognition regarding the suitability of DER's for the teachings of the current invention is the simplicity of the electroplating process. Unlike many conventional electroplated plastics, DER's do not require a significant number of process steps during the manufacturing process. This allows for simplified manufacturing and improved process control. It also reduces the risk of cross contamination such as solution dragout from one process bath being transported to another process bath. The simplified manufacturing process will also result in reduced manufacturing costs.

Yet another recognition of the benefit of DER's for the teachings of the current invention is the ability they offer to selectively electroplate an article or structure. As will be shown in later embodiments, it is often desired to electroplate a polymer or polymer-based structure in a selective manner. DER's are eminently suitable for such selective electroplating.

Yet another recognition of the benefit of DER's for the teachings of the current invention is their ability to withstand the pre-treatments often required to prepare other materials for plating. For example, were a DER to be combined with a metal, the DER material would be resistant to many of the pre-treatments such as cleaning which may be necessary to electroplate the metal.

Yet another recognition of the benefit of DER's for the teachings of the current invention is that the desired plated

structure often requires the plating of long and/or broad surface areas. As discussed previously, the coverage rate accelerators included in DER formulations allow for such extended surfaces to be covered in a relatively rapid manner thus allowing one to consider the use of electroplating of conductive polymers.

These and other attributes of DER's in the practice of the instant invention will become clear through the following remaining specification, accompanying figures and claims.

In order to eliminate ambiguity in terminology, for the present invention the following definitions are supplied:

"Metal-based" refers to a material or structure having at least one metallic property and comprising one or more components at least one of which is a metal or metal-containing alloy.

"Alloy" refers to a substance composed of two or more intimately mixed materials.

"Group VIII metal-based" refers to a substance containing by weight 50% to 100% metal from Group VIII of the Periodic Table of Elements.

"Electroplateable material" refers to a material that exhibits a surface that can be exposed to an electroplating process to cause the surface to cover with electrodeposited material.

OBJECTS OF THE INVENTION

An object of the invention is to eliminate the deficiencies in the prior art methods of producing expansive area, series interconnected photovoltaic arrays.

A further object of the present invention is to provide improved processes whereby expansive area, interconnected photovoltaic arrays can be economically mass produced.

A further object of the invention is to provide improved processes and structures for supplying current collector grids and interconnection structures.

Other objects and advantages will become apparent in light of the following description taken in conjunction with the drawings and embodiments.

SUMMARY OF THE INVENTION

The current invention provides a solution to the stated need by producing the active photovoltaic film and interconnecting structure separately and subsequently combining them to produce the desired expansive interconnected array.

In one embodiment, the interconnect structure is laminated to the light incident surface of a photovoltaic cell. If desired the separately prepared interconnection structure allows the photovoltaic junction to be produced in bulk. Furthermore, the junction can be produced with a wide variety of photovoltaic materials including but not limited to, single crystal silicon, polycrystalline silicon, amorphous silicon, CIS, CIGS, cadmium telluride, copper sulfide, semiconductor inks, polymer based semiconductor inks etc.

BRIEF DESCRIPTION OF THE DRAWINGS

FIG. 1 is a top plan view of a structure forming a starting article for an embodiment of the invention.

FIG. 1A is a top plan view of another embodiment of a starting article of the invention.

FIG. 2 is a sectional view taken substantially from the perspective of lines 2-2 of FIG. 1.

FIG. 2A is a sectional view taken substantially from the perspective of lines 2A-2A of FIG. 1A.

FIG. 2B is a sectional view showing a possible structure of the article of FIGS. 1 and 2 in more detail.

FIG. 3 is a sectional view showing another embodiment of the basic structure depicted in FIG. 2.

FIG. 4 is a top plan view showing the initial article depicted in FIG. 1 following an additional processing step.

FIG. 5 is a sectional view taken substantially from the perspective of lines 5-5 of FIG. 4.

FIG. 6 is an exploded sectional view of the encircled region of FIG. 5 identified as 6-6.

FIG. 7 is a sectional view of the article of FIGS. 4 through 6, taken from a similar perspective of FIG. 5, showing the FIGS. 4 through 6 embodiment following an additional optional processing step.

FIG. 8 is an exploded sectional view of the encircled region of FIG. 7 identified as 8-8.

FIG. 9 is a top plan view of a photovoltaic cell useful in the practice of the invention.

FIG. 10 is a sectional view taken substantially from the perspective of lines 10-10 of FIG. 9.

FIG. 11 is an exploded sectional view showing the detail of the structure identified as layers 70 and 86 in FIG. 10.

FIG. 12 is a simplified depiction of one form of process possible in the manufacture of the article embodied in FIGS. 9 and 10.

FIG. 13 is a sectional view showing one embodiment of an arrangement appropriate to combine the articles of FIG. 7 with the article of FIGS. 9 and 10 to achieve a series interconnected photovoltaic assembly.

DESCRIPTION OF PREFERRED EMBODIMENTS

Reference will now be made in detail to the preferred embodiments of the invention, examples of which are illustrated in the accompanying drawings. In the drawings, like reference numerals designate identical or corresponding parts throughout several views and an additional letter designation is characteristic of a particular embodiment.

Referring now to FIGS. 1 through 3, there are shown embodiments of a starting structure for a grid/interconnect article of the invention. FIG. 1 is a top plan view of a polymeric film or glass article generally identified by numeral 10. Article 10 has width X-10 and length Y-10. Length Y-10 is sometimes much greater the width X-10 such that article 10 can be processed in essentially a "roll-to-roll" fashion. However, this is not necessarily the case. Dimension "Y" can be chosen according to the application and process envisioned. FIG. 2 is a sectional view taken substantially from the perspective of lines 2-2 of FIG. 1. Thickness dimension Z-10 is normally small in comparison to dimensions Y-10 and X-10 and thus article 10 has a sheetlike structure. Article 10 is further characterized by having regions of essentially solid structure combined with regions having holes 12 extending through the thickness Z-10. In the FIG. 1 embodiment, a substantially solid region is generally defined by a width Wc, representing a current collection region. The region with through-holes (holey region) is generally defined by width Wi, representing an interconnection region. Imaginary line 11 separates the two regions. The reason for these distinctions and definitions will become clear in light of the following teachings.

FIGS. 1A and 2A is another embodiment of a sheetlike structure similar to that embodied in FIGS. 1 and 2 but absent the through holes present in the interconnection region Wi of the embodiment of FIGS. 1 and 2.

The instant invention will be taught using the structure embodied in FIGS. 1 and 2. However, one skilled in the art

will readily recognize application of the teachings to the structure embodied in FIGS. 1A and 2A and other equivalent structures when appropriate.

Referring now to FIG. 2, article 10 has a first surface 20 and second surface 22. The sectional view of article 10 shown in FIG. 2 shows a single layer structure. This depiction is suitable for simplicity and clarity of presentation. Often, however, article 10 will be a laminate comprising multiple layers as depicted in FIG. 2B. In the FIG. 2B embodiment, article 10 is seen to comprise multiple layers 14, 16, 18, etc. The multiple layers may comprise inorganic or organic components such as thermoplastics, thermosets, or silicon containing glass-like layers. The various layers are intended to supply functional attributes such as environmental barrier protection or adhesive characteristics. Such functional layering is well known and widely practiced in the plastic food packaging art. In particular, in light of the teachings to follow, one will recognize that it may be advantageous to have layer 14 forming surface 20 comprise a sealing material such as an ethylene vinyl acetate (EVA) containing material for adhesive characteristics during a possible subsequent lamination process. For example, the invention has been successfully demonstrated using a standard laminating material sold by GBC Corp., Northbrook, Ill., 60062. Additional layers 16, 18 etc. may comprise materials which assist in support or processing such as polypropylene and polyethylene terephthalate and barrier materials such as fluorinated polymers.

As depicted in the embodiments of FIGS. 1 and 2, the solid regions Wc and "holey" regions Wi of article 10 comprise the same material. This is not necessarily the case. For example, the "holey" regions Wi of article 10 could comprise a fabric, woven or non-woven, joined to an adjacent substantially solid region along imaginary line 11. However, the materials forming the solid region should be relatively transparent or translucent to visible light, as will be understood in light of the teachings to follow.

FIG. 3 depicts an embodiment wherein multiple widths 10-1, 10-2 etc. of the general structure of FIGS. 1 and 2 are joined together in a generally repetitive pattern in the width direction. As will become clear by the following teachings, such a structure may be advantageous in certain applications of photovoltaic cell interconnection.

FIG. 4 is a plan view of the FIG. 1 structure 10 following an additional processing step, and FIG. 5 is a sectional view taken along line 5-5 of FIG. 4. In FIGS. 4 and 5, the article is now designated by the numeral 24 to reflect this additional processing. In FIGS. 4 and 5, it is seen that a pattern of "fingers" 26 has been formed by material 28 positioned in a pattern onto surface 20 of original article 10. "Fingers" 26 extend over the width Wc of the solid sheetlike structure 24. The "fingers" 26 extend to the "holey" interconnection region generally defined by Wi. Portions of the Wc region not overlaid by "fingers" 26 remain transparent or translucent to visible light. The "fingers" may comprise electrically conductive material. Examples of such materials are metal containing inks, patterned deposited metals such as etched metal patterns, intrinsically conductive polymers and DER formulations. The "fingers" may comprise materials intended to facilitate subsequent deposition of conductive material in the pattern defined by the fingers. An example of such a material would be ABS, which can be catalyzed to initiate chemical "electroless" metal deposition. In a preferred embodiment, the "fingers" comprise material which will enhance or allow subsequent metal electrodeposition such as a DER. In the embodiment of FIGS. 4 and 5, the "fingers" are shown to be a single layer for simplicity of presentation. However, the

"fingers" can comprise multiple layers of differing materials chosen to support various functional attributes.

Continuing reference to FIGS. 4 and 5 also shows additional material 30 applied to the "holey" region Wi of article 24. As with the material comprising the "fingers" 26, the material 30 applied to the "holey" region Wi is either conductive or material intended to promote subsequent deposition of conductive material. In the embodiment of FIGS. 4 and 5, the "holey" region takes the general form of a "buss" 31 extending in the Y-24 direction in communication with the individual fingers. However, as one will understand through the subsequent teachings, the invention requires only that conductive communication extend from the fingers to a region Wi intended to be electrically joined to the electrode of an adjacent cell. The "holey" region Wi thus does not require overall electrical continuity in the "Y" direction as is characteristic of a "buss" depicted in FIGS. 4 and 5.

Reference to FIG. 5 shows that the material 30 applied to the "holey" interconnection region Wi is shown as the same as that applied to form the fingers 26. However, these materials 28 and 30 need not be identical. In this embodiment material 30 applied to the "holey" region extends through holes 12 and onto the opposite second surface 22 of article 24. This is best seen in FIG. 6, which is an exploded view of the portion of article 24 encircled by circle 6-6 of FIG. 5. The extension of material 30 through the holes 12 can be readily accomplished as a result of the relatively small thickness (Z dimension) of the sheetlike article. Techniques include two sided printing of conductive inks, through hole deposition of chemically (electroless) deposited metal, through hole deposition of conductive inks and conductive polymers, and through hole electrodeposition.

FIG. 7 is a view similar to that of FIG. 5 following an additional optional processing step. FIG. 8 is an exploded view of the portion of FIG. 7 encircled there as 8-8. The article embodied in FIGS. 7 and 8 is designated by numeral 36 to reflect this additional processing. It is seen in FIGS. 7 and 8 that the additional processing has deposited highly conductive material 32 over the originally free surfaces of materials 28 and 30. Material 32 is normally metal-based such as copper or nickel, tin etc. Typical deposition techniques such as chemical or electrochemical metal deposition can be used for this additional optional process to produce the article 36. In a preferred embodiment, electrodeposition is chosen for its speed, ease, and cost effectiveness.

It is seen in FIGS. 7 and 8 that highly conductive material 32 extends through holes to electrically join and form electrically conductive surfaces on opposite sides of article 36. While shown as a single layer in the FIG. 7 and FIGS. 8 embodiment, the highly conductive material can comprise multiple layers to achieve functional value. In particular, a layer of copper is often desirable for its high conductivity. Nickel is often desired for its adhesion characteristics, plateability and corrosion resistance. The exposed surface 39 of material 32 can be selected for corrosion resistance and bonding ability. In particular, tin or tin containing alloys are a possible choice of material to form the exposed surface of material 32. Tin and tin containing alloys melt at relatively low temperatures, which may be desirable to promote ohmic joining to other components in subsequent processing such as lamination.

The structures and articles such as those embodied in FIGS. 4 through 8 are defined herein as forms of "interconnecting straps" or simply "straps".

Referring now to FIGS. 9 and 10, there is embodied a thin film photovoltaic cell generally identified by the numeral 40. Cell 40 has a light incident top surface 59 and a bottom

surface 66. Cell 40 has a width X-40 and length Y-40. Width X-40 defines a first photovoltaic cell terminal edge 45 and second photovoltaic cell terminal edge 46. In some cases, particularly during initial cell manufacture, dimension Y-40 may be considerably greater than dimension X-40 such that cell 40 can generally be described as "continuous" or being able to be processed in a roll-to-roll fashion. However, this "continuous" characteristic is not a requirement for the instant invention. FIG. 10 shows that cell 40 comprises a thin film semiconductor structure 70 supported on metal-based foil 72. Foil 72 has a first surface 74, second surface 76, and thickness Z-40. Metal-based foil 72 may be of uniform composition or may comprise a laminate of two or more metal-based layers. For example, foil 72 may comprise a base layer of inexpensive and processable material 78 with an additional metal-based layer 81 disposed between base layer 78 and semiconductor material 70. The additional metal-based layer may be chosen to ensure good ohmic contact between the top surface 74 of foil 72 and semiconductor structure 70. Bottom surface 76 of foil 72 may comprise a material 79 chosen to achieve good electrical and mechanical joining characteristics as will become clear in the subsequent teachings. The thickness Z-40 is often chosen such that cell 40 remains flexible for roll-to-roll handling and to minimize weight. However, the invention is not limited to flexible, lightweight cells and the teachings contained herein can be applied to rigid cells such as those comprising glass substrates or superstrates or those comprising single crystal silicon cells.

Semiconductor structure 70 can be any of the photovoltaic structures known in the art. Included are cells comprising single crystal silicon, polycrystalline silicon, thin film cells such as those comprising CuS, CIS, CIGS and CdTe, and cells comprising polymer based semiconductors. In its simplest form, a photovoltaic cell combines an n-type semiconductor with a p-type semiconductor to form an n-p junction. Most often an optically transparent window electrode, identified as 86 in FIG. 10, such as a thin film of zinc or tin oxide is employed to minimize resistive losses involved in current collection. FIG. 11 illustrates an example of a typical photovoltaic cell structure in section. In the figures, an arrow labeled "hv" is used to indicate the light incident side of the structure. In FIG. 11, 80 represents a thin film of a p-type semiconductor, 82 a thin film of n-type semiconductor and 84 the resulting photovoltaic junction. Window electrode 86 completes the typical photovoltaic structure.

FIG. 12 presents one method of manufacture of a foil supported photovoltaic structure such as embodied in FIGS. 9 and 10. The metal-based foil 72 is moved in the direction of its length Y through a deposition process, generally indicated by numeral 90. Process 90 accomplishes deposition of the active photovoltaic structure onto foil 72. Foil 72 is unwound from supply roll 92, passed through deposition process 90 and rewound onto takeup roll 94. Process 90 can comprise any of the processes well-known in the art for depositing thin film photovoltaic structures. These processes include electroplating, vacuum sputtering, and chemical deposition. Process 90 may also include treatments, such as heat treatments or slitting, intended to enhance performance or manufacturing ability.

One method of combining the interconnect "straps" embodied in FIGS. 4-6 and optionally in FIGS. 7 and 8 with the photovoltaic cells embodied in FIGS. 9 and 10 is illustrated in FIG. 13. In the FIG. 13 structure, individual straps 36a, 36b, 36c, are combined with cells 40a, 40b, 40c to form a series interconnected array. This may be accomplished via the following process.

1. An individual strap, such as 36a, is combined with a cell such as 40a by positioning the free surface 20 of solid surface region Wc of strap 36a in registration with the light incident surface 59 of cell 40a. Adhesion joining the two surfaces is accomplished by a suitable process. It is envisioned that batch or continuous laminating processing, such as that widely used in the food packaging industry would be one suitable method to accomplish this surface joining. In particular, the material forming the remaining free surface 20 of article 36a (that portion of surface 20 not covered with conductive material 32) can be chosen to promote good adhesion between the sheetlike article 36a and cell 40a during a surface laminating process. Also, as mentioned above, the nature of the free surface of conductive material 32 may be manipulated and chosen to further guarantee ohmic joining and adhesion. The laminating process brings the conductive material of fingers 26 into firm and effective contact with the transparent conductive material 86 forming surface 59 of cell 40a.
2. Subsequently or concurrently with Step 1, the conductive material 32 extending over the second surface 22 of strap 36b is ohmically adhered to the bottom surface 66 of cell 40a. This joining is accomplished by suitable electrical joining techniques such as soldering, riveting, spot welding or conductive adhesive application. The particular ohmic joining technique is not shown in the FIG. 13. However, a particularly suitable conductive adhesive is one based on a carbon black filler in a polymer matrix. Such adhesive formulations are relatively inexpensive. Despite the fact that carbon black formulations have relatively high intrinsic resistivities (of the order 1 ohm-cm.), the bonding in this embodiment is accomplished through a relatively thin adhesive layer and over a broad surface. Thus the resulting resistance losses are relatively limited. Strap 36b extends over the light incident surface of cell 40b.

FIG. 13 embodies three cells assembled in a series arrangement using the teachings of the instant invention. In FIG. 13, "i" indicated the direction of net current flow. It is noted that the arrangement of FIG. 13 resembles a shingling arrangement of cells, but with an important distinction. The prior art shingling arrangements have included an overlapping of cells at a sacrifice of portions of very valuable cell surface. In the FIG. 13 teaching, the benefits of the shingling interconnection concept are achieved without any loss of photovoltaic surface from shading by an overlapping cell. In addition, the FIG. 13 arrangement retains a high degree of flexibility because there is no immediate overlap of the metal foil structure.

EXAMPLE

A standard plastic laminating sheet from GBC Corp. was coated with DER in the pattern of repetitive fingers joined along one end with a busslike structure resulting in an article as embodied in FIGS. 4 through 6. The fingers were 0.020 inch wide, 1.625 inch long and were repetitively separated by 0.150 inch. The buss-like structure which contacted the fingers extended in a direction perpendicular to the fingers as shown in FIG. 4. The buss-like structure structure had a width Wi of 0.25 inch. Both the finger pattern and buss-like structure were printed simultaneously using the same DER ink and using silk screen printing. The DER printing pattern was applied to the laminating sheet surface formed by the sealing layer (i.e. that surface facing to the inside of the standard sealing pouch).

The finger/buss pattern thus produced on the lamination sheet was then electroplated with nickel in a standard Watts nickel bath at a current density of 50 amps. per sq. ft. Approximately 4 micrometers of nickel thickness was deposited to the overall pattern.

A photovoltaic cell having surface dimensions of 1.75 inch wide by 2.0625 inch long was used. This cell was a CIGS semiconductor type deposited on a 0.001 inch stainless steel substrate. A section of the laminating sheet containing the electroplated buss/finger pattern was then applied to the top, light incident side of the cell, with the electroplated grid finger extending in the width direction (1.75 inch dimension) of the cell. Care was taken to ensure that the buss or interconnect region, W_i , of the electroplated laminate did not overlap the cell surface. This resulted in a total cell surface of 3.61 sq. inch. (2.0625"×1.75") with about 12% shading from the grid, (i.e. about 88% open area for the cell).

The electroplated "finger/buss" on the lamination film was applied to the photovoltaic cell using a standard Xerox office laminator. The resulting completed cell showed good appearance and connection.

The cell prepared as above was tested in direct sunlight for photovoltaic response. Testing was done at noon, Morgan Hill, Calif. on April 8 in full sunlight. The cell recorded an open circuit voltage of 0.52 Volts. Also recorded was a "short circuit" current of 0.65 Amp. This indicates excellent power collection from the cell at high efficiency of collection.

Although the present invention has been described in conjunction with preferred embodiments, it is to be understood that modifications, alternatives and equivalents may be included without departing from the spirit and scope of the inventions, as those skilled in the art will readily understand. Such modifications, alternatives and equivalents are considered to be within the purview and scope of the invention and appended claims.

What is claimed is:

1. A device comprising a first photovoltaic cell and an additional interconnection structure, wherein,
 said photovoltaic cell comprises a cell body, said body comprising semiconductor material a light incident top cell surface formed by a transparent or translucent conductive material;
 said additional interconnection structure comprises a sheetlike substrate, having overlapping first and second substrate surfaces, said first substrate surface facing in a direction opposite and away from said second substrate surface;
 said interconnection structure further comprising a collection region and an interconnection region;
 said substrate comprising said collection region is transparent or translucent and has a pattern comprising electrically conductive material positioned over on said first substrate surface;
 said interconnection region comprises additional electrically conductive material positioned over portions of said second substrate surface, said additional electrically conductive material being in electrical communication with said pattern through an electrical path not traversing said semiconductor material; and,
 wherein said device comprises a combination of said photovoltaic cell and said interconnection structure such that said first substrate surface of said collection region and said light incident top cell surface face toward each other so that physical contact is made between the said pattern on the first substrate surface and the said light incident surface.

2. The device of claim 1 wherein said electrical communication between said additional conductive material and said pattern is established using holes extending through said substrate from said first surface to said second surface, and wherein electrically conductive material extends through said holes to electrically connect conductive material positioned on said first and second surfaces of said substrate.

3. The device of claim 2 wherein said substrate comprises an electrically insulating layer of material, and wherein said holes extend through said insulating layer.

4. The device of claim 1 further comprising a second photovoltaic cell, said second cell having an electrically conductive bottom surface portion facing away from a light incident top cell surface, said second cell being positioned such that said conductive bottom surface portion of said second cell overlaps said interconnection region so said additional electrically conductive material positioned over said second surface within said interconnection region contacts said bottom conductive surface portion.

5. The device of claim 4 wherein there is substantially no overlap between said first and second photovoltaic cells.

6. The device of claim 4 wherein both said first and second cells have terminal edges defined by the extent of said semiconductor material, said cells being interconnected in series, and wherein there is no substantial separation, in a direction parallel to said light incident surfaces of said cells, between adjacent terminal edges of said first and second cells required to achieve said series interconnection.

7. The device of claim 4 wherein both said first and second cells have terminal edges defined by the extent of said semiconductor material, said first and second cells being interconnected in series, said device is capable of achieving said series connection without requiring either overlapping of said cells or substantial separation of adjacent terminal edges of said cells in a direction parallel to said light incident surfaces.

8. The device of claim 4 wherein said electrically conductive bottom surface portion of said second cell comprises a metal foil.

9. The device of claim 8 wherein said metal foil comprises a laminate of multiple layers.

10. The device of claim 8 wherein said metal foil is self supporting.

11. The device of claim 10 wherein said metal foil comprises stainless steel.

12. The device of claim 1 wherein said sheetlike substrate comprises a silicon containing layer.

13. The device of claim 1 wherein said pattern comprises an electrically conductive polymer.

14. The device of claim 1 wherein said pattern comprises polymeric material characterized as being able to facilitate deposition of metal.

15. The device of claim 1 wherein said pattern comprises a directly electroplateable resin (DER).

16. The device of claim 1 wherein said pattern comprises an electrodeposit.

17. The device of claim 16, wherein said electrodeposit comprises copper.

18. The device of claim 1 wherein a portion of said electrically conductive material of the pattern and a portion of said additional conductive material of the interconnection region constitute a monolithic structure.

19. The device of claim 1 wherein said substrate comprises polymeric material.

20. The device of claim 19 wherein said substrate comprises multiple polymeric layers.

19

21. The device of claim 1 wherein at least a portion of said first substrate surface comprising a material with adhesive characteristic relative to said light incident surface.

22. The device of claim 21 wherein said material with adhesive characteristic comprising a laminating adhesive.

23. The device of claim 1 wherein said pattern comprises multiple substantially parallel fingers extending in a first direction.

24. The device of claim 23 wherein said fingers are substantially rectangular in their cross section.

25. The device of claim 23 wherein said additional electrically conductive material positioned over said second substrate surface extends, in a direction substantially perpendicular to said first direction spanning multiple said fingers.

26. The device of claim 1 wherein either of said pattern or said additional electrically conductive material comprises printed material.

27. The device of claim 26 wherein said printed material comprises a homogeneous mixture of conductive particles in a polymer matrix.

28. The device of claim 26 wherein said printed material comprises silver or carbon black.

29. The device of claim 1 wherein either of said pattern or said additional electrically conductive material comprises metal with melting point at or below the melting point of tin.

30. A device comprising multiple photovoltaic cells and an additional interconnection structure to achieve a series interconnection between two of said photovoltaic cells; wherein, said two photovoltaic cells each have a cell body, said body comprising a light incident top surface formed by a transparent or translucent conductive material and further comprising semiconductor material overlaying conductive material forming a conductive bottom surface,

20

said conductive bottom surface facing away from said light incident surface, said cell further comprising terminal edges defined by boundaries of said semiconductor material;

5 said additional interconnection structure comprising, a sheetlike substrate, said substrate having overlapping a first and second substrate surfaces, said first surface facing in a direction opposite and away from said second surface;

10 said interconnection structure further comprising multiple structural portions, a first of said portions is transparent or translucent and has a first pattern comprising electrically conductive material positioned on said first surface, and a second of said portions has a second pattern comprising electrically conductive material positioned on said second surface, wherein said first and second patterns are in electrical communication;

15 said first structural portion overlaying said light incident surface of a first of said cells such that said first substrate surface of said first portion and said light incident surface face each other and said first pattern contacts said light incident surface;

20 said second pattern and said conductive bottom surface of a second of said cells facing each other such that said second pattern is in contact with said bottom conductive surface of said second cell.

25 31. The device of claim 30 wherein said first and second patterns comprise a monolithic material forming portions of both said first and second patterns.

30 32. The device of claim 30 further comprising said second structural portion at least partially positioned outside a boundary terminal edge of first cell.

* * * * *

EXHIBIT B

MUTUAL CONFIDENTIALITY AGREEMENT

This Agreement is made and entered into, as of 4/14/06 ("Effective Date"), by and between Miasolé ("Company"), having a principal place of business at 2590 Walsh Avenue, Santa Clara, California and Daniel Luch, a(n) individual, partnership, limited liability partnership, corporation, limited liability company (check the appropriate box), having a principal place of business at 17161 Copper Hill Dr., Morgan Hill, CA, ("Other Party").

1. **Definition of Confidential Information.** "Confidential Information" means (a) any technical and non-technical information related to a party's business and current, future and proposed products and services of each of the parties, including for example and without limitation, each party's respective information concerning research, development, design details and specifications, financial information, procurement requirements, engineering and manufacturing information, customer lists, business forecasts, sales information and marketing plans and (b) any information a party has received from others that may be made known to the other party and which such party is obligated to treat as confidential or proprietary; provided, however, that any such information disclosed by a party to this Agreement (the "Discloser") will be considered Confidential Information of Discloser by the other party (the "Recipient"), only if such information (a) is provided as information fixed in tangible form or in writing (e.g., paper, disk or electronic mail), is conspicuously designated as "Confidential" (or with some other similar legend) or (b) if provided orally, is identified as confidential at the time of disclosure and confirmed in writing within thirty (30) days of disclosure.

2. **Nondisclosure and Nonuse Obligations.** Recipient will not use, disseminate, or in any way disclose any of Discloser's Confidential Information to any person, firm or business, except to the extent necessary for the purpose described below the signatures to this Agreement (the "Purpose"). Furthermore, neither party may disclose the existence of any negotiations, discussions or consultations in progress between the parties to any form of public media without the prior written approval of the other party. Recipient shall treat all of Discloser's Confidential Information with the same degree of care as Recipient accords to Recipient's own Confidential Information, but not less than reasonable care. Recipient shall disclose Discloser's Confidential Information only to those of Recipient's employees, consultants and contractors who need to know such information. Recipient certifies that each such employee, consultant and contractor will have agreed, either as a condition to employment or in order to obtain Discloser's Confidential Information, to be bound by terms and conditions substantially similar to those terms and conditions applicable to Recipient under this Agreement. Recipient shall immediately give notice to Discloser of any unauthorized use or disclosure of Discloser's Confidential Information. Recipient shall assist Discloser in remedying any such unauthorized use or disclosure of Discloser's Confidential Information.

3. **Exclusions from Nondisclosure and Nonuse Obligations.** Recipient's obligations under Section 2 (Nondisclosure and Nonuse Obligations) shall not apply to any of Discloser's Confidential Information that Recipient can document: (a) was in the public domain at or subsequent to the time such Confidential Information was communicated to Recipient by Discloser through no fault of Recipient; (b) was rightfully in Recipient's possession free of any obligation of confidence at or subsequent to the time such Confidential Information was communicated to Recipient by such Discloser; (c) was developed by employees or agents of Recipient independently of and without reference to any of Discloser's Confidential Information; or (d) was communicated by Discloser to an unaffiliated third party free of any obligation of confidence. A disclosure by Recipient of any of Discloser's Confidential Information (a) in response to a valid order by a court or other governmental body; (b) as otherwise required by law; or (c) necessary to establish the rights of either party under this Agreement shall not be considered to be a

breach of this Agreement by such Recipient; provided, however, such Recipient shall provide prompt prior written notice thereof to such Discloser to enable Discloser to seek a protective order or otherwise prevent such disclosure.

4. Ownership and Return of Confidential Information and Other Materials. All of Discloser's Confidential Information, and any Derivatives (defined below) thereof, whether created by such Discloser or Recipient, are the property of Discloser and no license or other rights to such Discloser's Confidential Information or Derivatives is granted or implied hereby. For purposes of this Agreement, "Derivatives" shall mean: (a) for copyrightable or copyrighted material, any translation, abridgment, revision or other form in which an existing work may be recast, transformed or adapted; (b) for patentable or patented material, any improvement thereon; and (c) for material that is protected by trade secret, any new material derived from such existing trade secret material, including new material which may be protected under copyright, patent and/or trade secret laws. All materials (including, without limitation, documents, drawings, papers, diskettes, tapes, models, apparatus, sketches, designs and lists) furnished by Discloser to Recipient (whether or not they contain or disclose Discloser's Confidential Information) are the property of such Discloser. Within five (5) days after any request by Discloser, Recipient shall destroy or deliver to Discloser, at Discloser's option, (a) all such Discloser-furnished materials and (b) all materials in Recipient's possession or control (even if not Discloser-furnished) that contain or disclose any of such Discloser's Confidential Information. Recipient will provide Discloser a written certification of Recipient's compliance with Recipient's obligations under this Section.

5. Independent Development. Recipient may currently or in the future be developing information internally, or receiving information from other parties that may be similar to such Discloser's Confidential Information. Accordingly, nothing in this Agreement shall be construed as a representation or inference that Recipient will not develop or have developed products or services, that, without violation of this Agreement, might compete with the products or systems contemplated by such Discloser's Confidential Information.

6. Disclosure of Third Party Information. Neither party shall communicate any information to the other in violation of the proprietary rights of any third party.

7. No Warranty. All Confidential Information is provided by Discloser "AS IS" and without any warranty, express, implied or otherwise, regarding such Confidential Information's accuracy or performance.

8. No Export. Recipient will obtain any licenses or approvals the U.S. government or any agency thereof requires prior to exporting, directly or indirectly, any technical data acquired from Discloser pursuant to this Agreement or any product utilizing any such data.

9. Term. This Agreement shall govern all communications between the parties that are made from the Effective Date to the date on which either party receives from the other written notice that subsequent communications shall not be so governed; provided, however, that a Recipient's obligations under Section 2 (Nondisclosure and Nonuse Obligations) shall continue in perpetuity with respect to the Discloser's Confidential Information that such Recipient has previously received unless such obligations no longer apply pursuant to Section 3 (Exclusions from Nondisclosure and Nonuse Obligations).

10. No Assignment. Neither party will assign or transfer any rights or obligations under this Agreement without the prior written consent of the other party, which consent shall not be unreasonably withheld.

11. Injunctive Relief. A breach by Recipient of this Agreement will cause irreparable and continuing damage to Discloser for which money damages are insufficient, and Discloser shall be entitled to injunctive relief and/or a decree for specific performance, and such other relief as may be proper (including money damages if appropriate).

12. Notices. Any notice required or permitted by this Agreement shall be in writing and shall be delivered as follows, with notice deemed given as indicated: (a) by personal delivery, when delivered personally; (b) by overnight courier, upon written verification of receipt; (c) by or facsimile transmission, upon acknowledgment of receipt of electronic transmission; or (d) by certified or registered mail, return receipt requested, upon verification of receipt. Notice shall be sent to the addresses set forth above or to such other address as either party may provide in writing.

13. Governing Law; Forum. This Agreement shall be governed in all respects by the laws of the United States of America and by the laws of the State of California, as such laws are applied to agreements entered into and to be performed entirely within California between California residents. Each of the parties irrevocably consents to the exclusive personal jurisdiction of the federal and state courts located in California, as applicable, for any matter arising out of or relating to this Agreement, except that in actions seeking to enforce any order or any judgment of such federal or state courts located in California, such personal jurisdiction shall be nonexclusive.

14. Severability. If a court of law holds any provision of this Agreement to be illegal, invalid or unenforceable, (a) that provision shall be deemed amended to achieve an economic effect that is as near as possible to that provided by the original provision and (b) the legality, validity and enforceability of the remaining provisions of this Agreement shall not be affected thereby.

15. Waiver; Modification. If a party waives any term, provision or a party's breach of this Agreement, such waiver shall not be effective unless it is in writing and signed by the party against whom such waiver is asserted. No waiver by a party of a breach of this Agreement by the other party shall constitute a waiver of any other or subsequent breach by such other party. This Agreement may be modified only if authorized representatives of both parties consent in writing.

16. Entire Agreement. This Agreement constitutes the entire agreement with respect to the Confidential Information disclosed hereunder and supersedes all prior or contemporaneous agreements concerning such Confidential Information, written or oral.

EXHIBIT C



[Print] [Close]

From: "Bill Sanders" <bsanders@miasole.com>
To: <danluch@att.net>
Cc: "Dave Pearce" <dpearce@MIASOLE.com>, "Bruce D. Hachtmann" <bhachtmann@MIASOLE.com>
Subject: decal volumes
Date: Tue, 6 Jun 2006 18:35:59 +0000

Hi Dan,

I have looked at the projected output of our roll coaters for the second half of this year and it looks like we will need roughly the following:

September: 50,000 decals
October: 200,000 decals
November: 600,000 decals
December: 850,000 decals

These volumes are for cells that are sized nominally at 18"x2" with a 1"-1.5" lead extending off the conductors as shown in the PDF that I sent you. The PDF is very close to being accurate, but it does show a 3" collection grid that would be reduced to 2" in actual use. It would help if I could know what the lead time and price would be for these types of quantities. Since I cannot tell you exactly what polymer we will need as the carrier, you should quote this with the "polymer carrier provided by Miasolé.

I should note that these numbers are based on the yielded projected output, but that assumes that we will be able to reliably test the cells before wasting a decal on them. If we are not able to accomplish this, then the number of decals would need to go up.

Thanks,

Bill Sanders

Director of Engineering
Miasolé Inc.
2590 Walsh Ave.
Santa Clara, CA 95051
(408) 919-5760